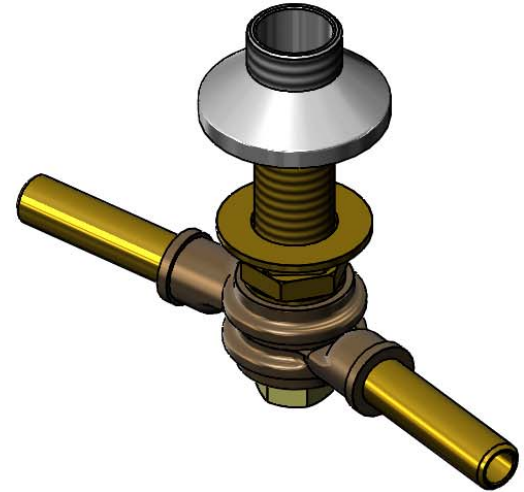
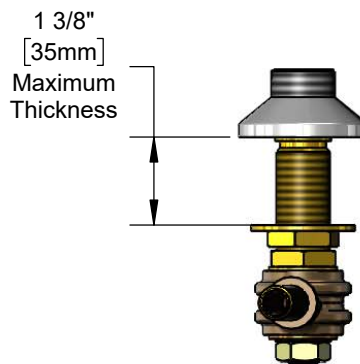
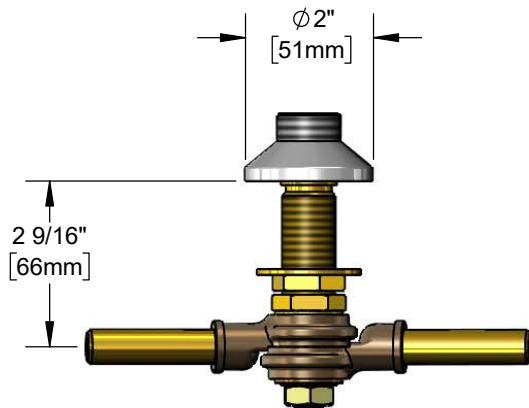




Architect/Engineering Specifications:

Swivel yoke/swivel base flange with polished chrome plated brass body. Fits all T&S swivel goosenecks and risers. Certified to NSF 61-Section 9 and NSF 372.

Job Name	_____
Model Specified	_____ Quantity _____
Variations Specified	_____
Date	_____



Features & Benefits:

- Swivel yoke with swivel base flange outlet
- Swivel outlet accepts T&S swing nozzles and EasyInstall risers
- Includes EZ-K to convert rigid risers to EasyInstall
- Material: Brass and chrome plated brass

Product Compliance:

- NSF 61 - Section 9
- NSF 372 (Low Lead Content)



Warranty: One Year (Limited)



Performance Data:

- N/A

