



T&S BRASS AND BRONZE WORKS, INC.
 2 SADDLEBACK COVE / P.O. BOX 1088 / TRAVELERS REST, SC 29690
 PHONE 800-476-4103 - FAX 864- 834-3518



REG.#A2601
 ISO #9001

Sales No.

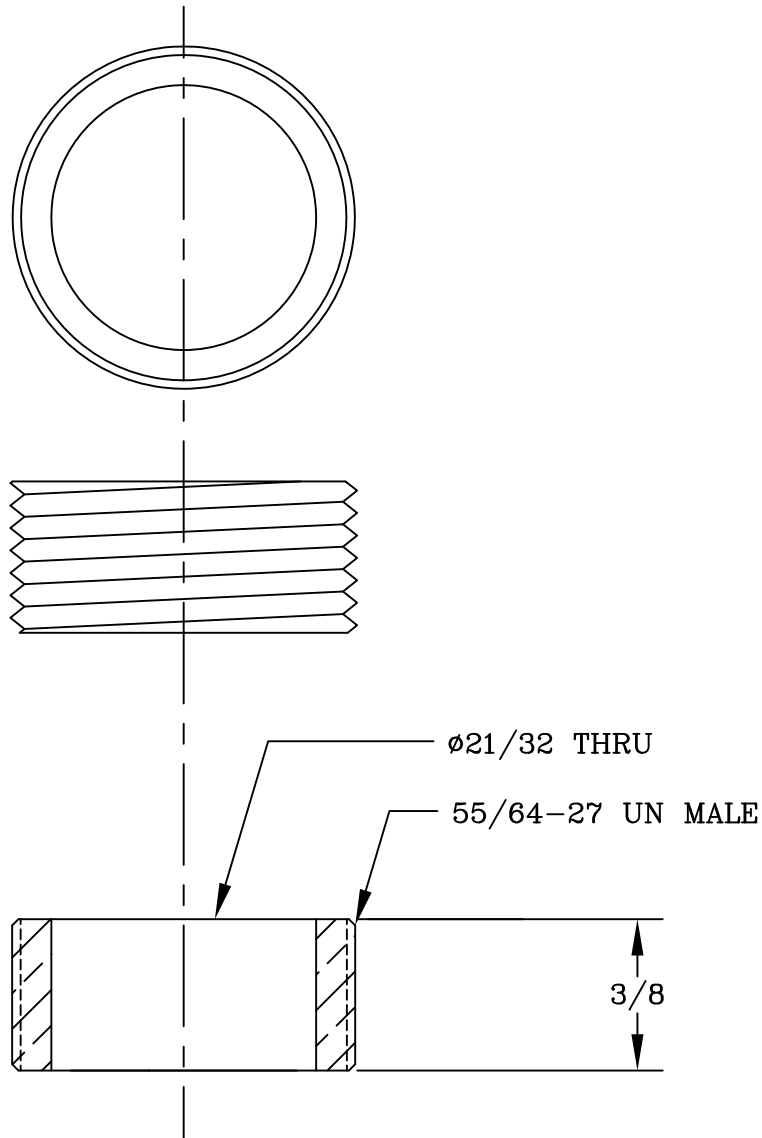
011655-25

RELIABILITY
 BUILT IN

Job Name:

Architect/Engineer Approval:

Notes:



Finish: Chrome Plated

Product Description:
 Aerator Adapter, Male x Male (Plated)

Drawn: DHL	Checked MAV	Scale: 1:1
Approved JHB		Date: 01/07/11