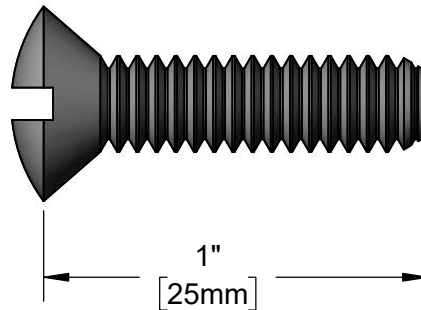
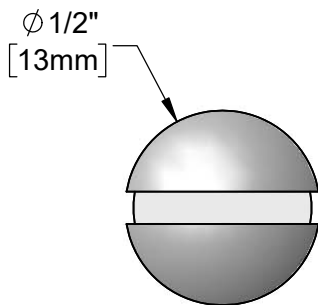
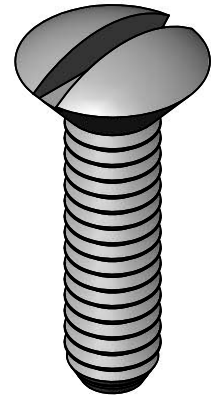




**Architect/Engineering Specifications:**

Stainless steel mounting screw for T&S knee action valve with 1/4-20 UN male thread.

Job Name \_\_\_\_\_  
 Model Specified \_\_\_\_\_ Quantity \_\_\_\_\_  
 Variations Specified \_\_\_\_\_  
 Date \_\_\_\_\_



**Features & Benefits:**

- Mounting screw for T&S knee action valve
- 1/4-20 UN male thread
- Material: Stainless steel

**Product Compliance:**

- N/A

**Warranty:** One Year (Limited)

**Performance Data:**

- N/A

