



Architect/Engineering Specifications:

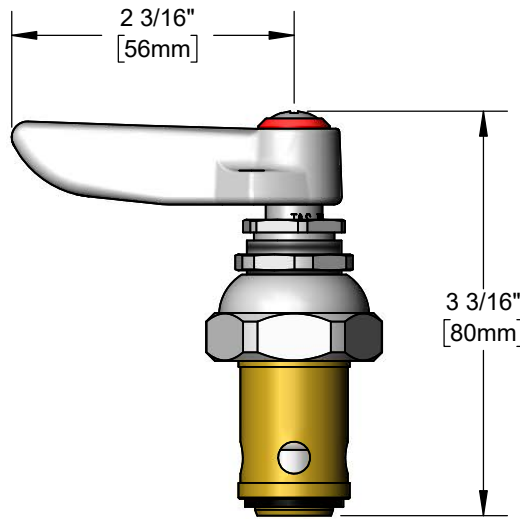
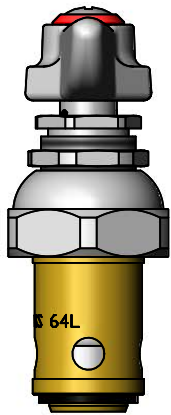
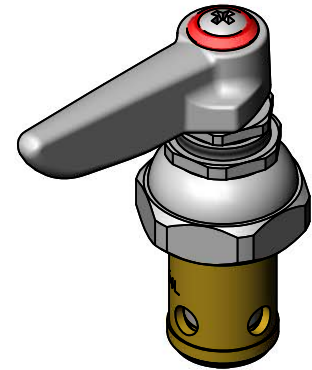
Eterna cartridge, RTC with teflon seat washer, lever handle, red index and screw. Fits all T&S faucets. Certified to NSF 61-Section 9 and NSF 372. Meets ADA ANSI/ICC A117.1 requirements.

Job Name \_\_\_\_\_

Model Specified \_\_\_\_\_ Quantity \_\_\_\_\_

Variations Specified \_\_\_\_\_

Date \_\_\_\_\_



Features & Benefits:

- Eterna cartridge, RTC with teflon seat washer
- Escutcheon bonnet
- Lever handle
- Red index and screw
- Fits all T&S faucets

Product Compliance:

- ASME A112.18.1 / CSA B125.1
- NSF 61 - Section 9
- NSF 372 (Low Lead Content)
- ANSI A117.1 (ADA)

Warranty: One Year (Limited)

Performance Data:

- Pressure: 20 - 125 psi [1.38 - 862.bar]
- Temperature: 40 °F - 140 °F [4.44 °C - 60 °C]
- Flow Rate: 11.25 GPM [42.59 L/min] @ 60 psi [4.14 bar]



ADA Compliant

