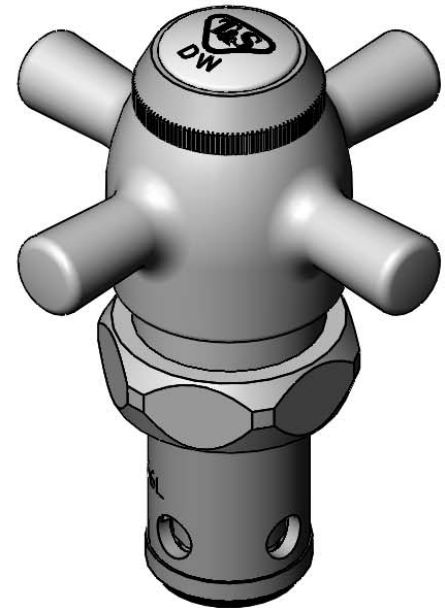
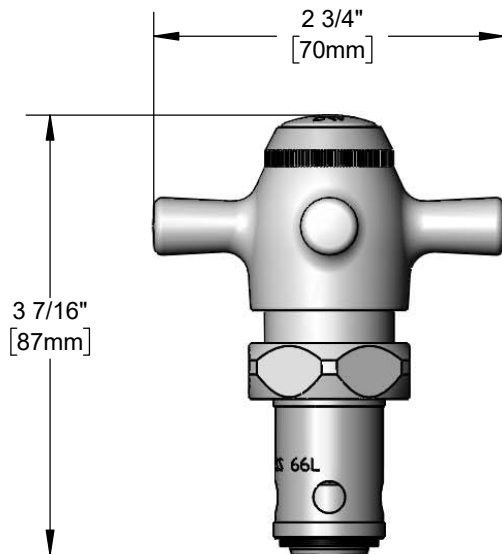




Architect/Engineering Specifications:

Fast self-closing, tin-lined cartridge with 4-arm handle and white index.

Job Name _____
 Model Specified _____ Quantity _____
 Variations Specified _____
 Date _____



Features & Benefits:

- Fast self-closing, tin-lined cartridge
- White color "DW" index
- 4-arm handle
- Material: Chrome plated brass

Product Compliance:

Warranty: One Year (Limited)

Performance Data:

- Pressure: 20 - 125 psi [1.38 - 8.62 bar]
- Temperature: 40 °F - 140 °F [4.44 °C -60 °C]
- Flow Rate: 6.61 GPM [25.02 L/min] @ 60 psi [4.14 bar]

