



**Architect/Engineering Specifications:**

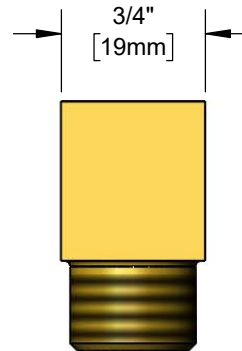
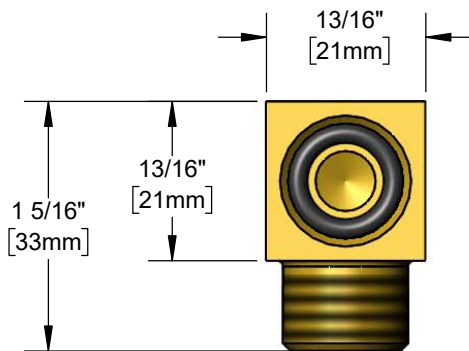
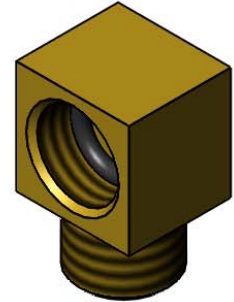
Low profile elbow with 1/8" NPSM male x 1/8" NPSM female connections and o-ring seal in female bore. Certified to ASME A112.18.1/CSA B125.1, NSF 61-Section 9 and NSF 372.

Job Name \_\_\_\_\_

Model Specified \_\_\_\_\_ Quantity \_\_\_\_\_

Variations Specified \_\_\_\_\_

Date \_\_\_\_\_



**Features & Benefits:**

- Low profile 1/8" NPSM male x 1/8" NPSM female elbow
- O-ring seal in bottom of female bore
- Material: Brass with nitrile o-ring

**Product Compliance:**

- ASME A112.18.1 / CSA B125.1
- NSF 61 - Section 9
- NSF 372 (Low Lead Content)



**Warranty:** One Year (Limited)

**Performance Data:**

- N/A

