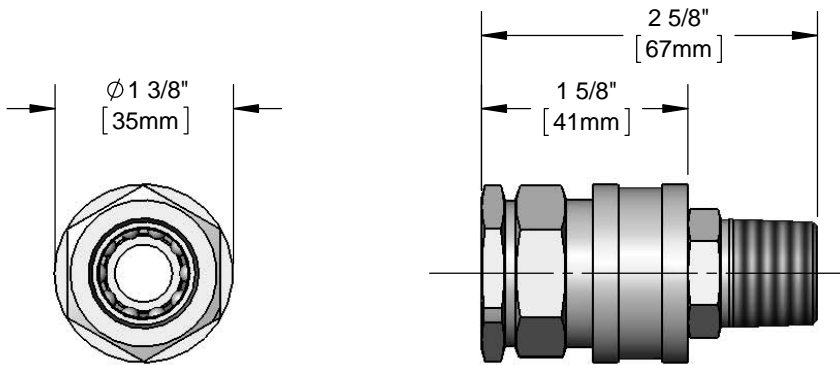
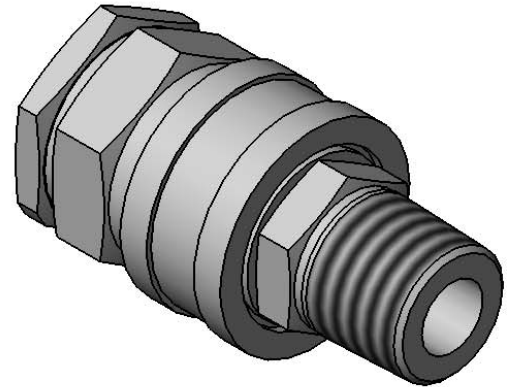




Architect/Engineering Specifications:

Chrome plated washdown quick- disconnect assembly with 1/2-14 NPT female inlet and 1/2-14 NPT male outlet.

Job Name \_\_\_\_\_  
 Model Specified \_\_\_\_\_ Quantity \_\_\_\_\_  
 Variations Specified \_\_\_\_\_  
 Date \_\_\_\_\_



Features & Benefits:

- Chrome plated washdown quick-disconnect assembly
- 1/2-14 NPT female inlet
- 1/2-14 NPT male outlet
- Not rated for potable/drinking water
- Material: Chrome plated brass

Product Compliance:

- ASME A112.18.1 / CSA B125.1
- NSF 61 Exempt (Non-Potable)

Warranty: One Year (Limited)

Performance Data:

- N/A

