



T&S BRASS AND BRONZE WORKS, INC.

2 SADDLEBACK COVE / P.O. BOX 1088 / TRAVELERS REST, SC 29690

PHONE 800-476-4103

FAX 864- 834-3518



REG.#A2601  
ISO #9002

Model No.

012625-45

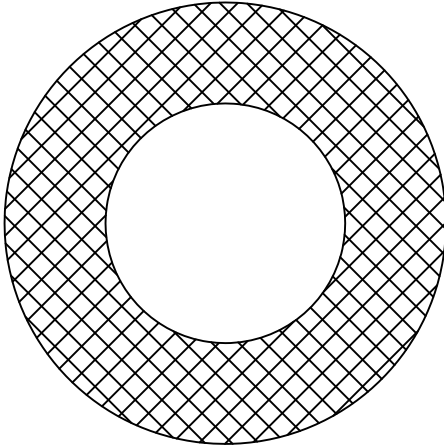
Item No.:

Job Name:

Architect/Engineer Approval:

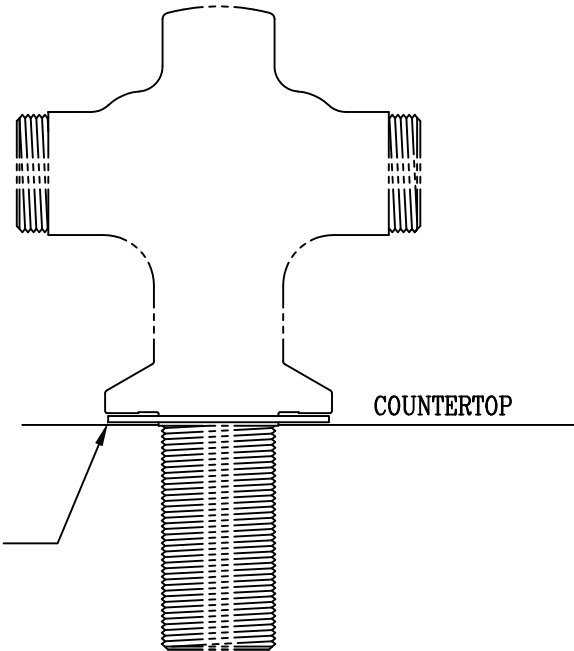
Notes:

MATERIAL:  
SILICON CARBIDE SCREEN CLOTH



2-3/16" OD x 1-3/16" ID x 1/32" THICK

SCALE: 1=1



PLACE WASHER BETWEEN FAUCET  
BODY & COUNTERTOP SURFACE

NOTE: FAUCET BODY NOT INCLUDED

Product Description:

ANTI-ROTATION ABRASIVE WASHERS  
( QUANTITY = 2 )

Drawn:

DMH

Checked

DHL

Scale:

1 : 2

Approved

JHB

Date:

09/01/10