



Architect/Engineering Specifications:

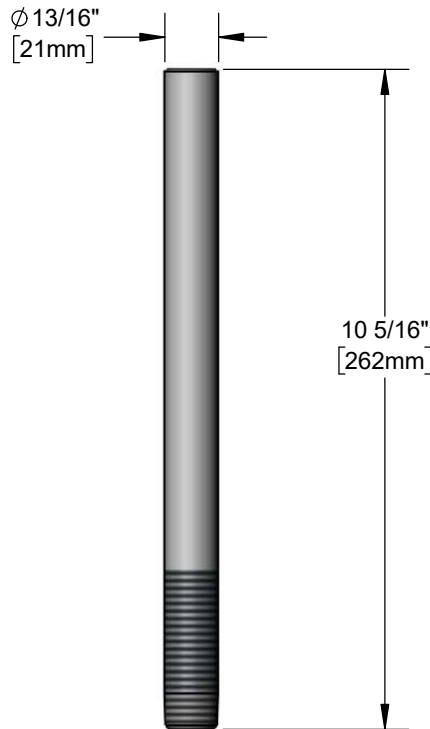
Polished chrome plated pedestal with 1/2" NPT male inlet, 1/2" NPSL male thread and 3/8" NPSL female outlet. Certified to NSF 61-Section 9 and NSF 372.

Job Name _____

Model Specified _____ Quantity _____

Variations Specified _____

Date _____



Features & Benefits:

- Pedestal for 8" deck mount glass filler
- 1/2" NPT male inlet
- 1/2" NPSL male thread
- 3/8" NPSL female outlet
- Material: Polished chrome plated brass

Product Compliance:

- NSF 61 - Section 9
- NSF 372 (Low Lead Content)

Warranty: One Year (Limited)

Performance Data:

- N/A

