



T&S BRASS AND BRONZE WORKS, INC.
 2 Saddleback Cove / P.O. Box 1088
 Travelers Rest, SC 29690

Model No.
B-2746

Item No.

Travelers Rest, SC: 800-476-4103 • Simi Valley, CA: 800-423-0150 • Fax: 864-834-3518 • www.tsbrass.com



ADA Compliant

This Space for Architect/Engineer Approval

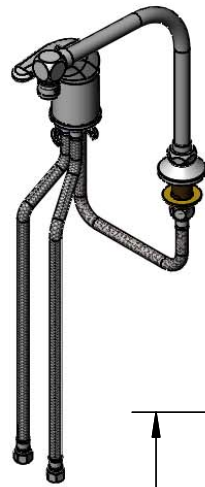
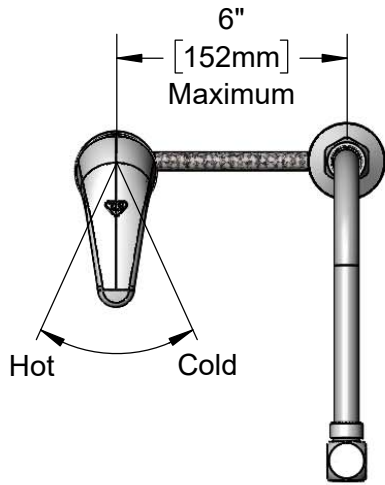
Job Name _____ Date _____

Model Specified _____ Quantity _____

Customer/Wholesaler _____

Contractor _____

Architect/Engineer _____



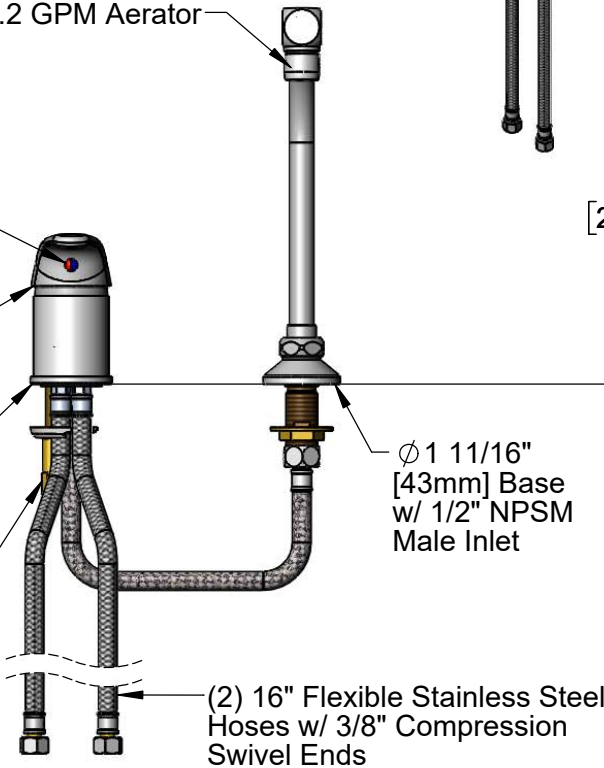
High-Arc Swivel/Rigid
 Gooseneck w/
 B-0199-01
 2.2 GPM Aerator

Temperature
 Index

Ceramic
 Cartridge w/
 Temperature
 Limit Stop

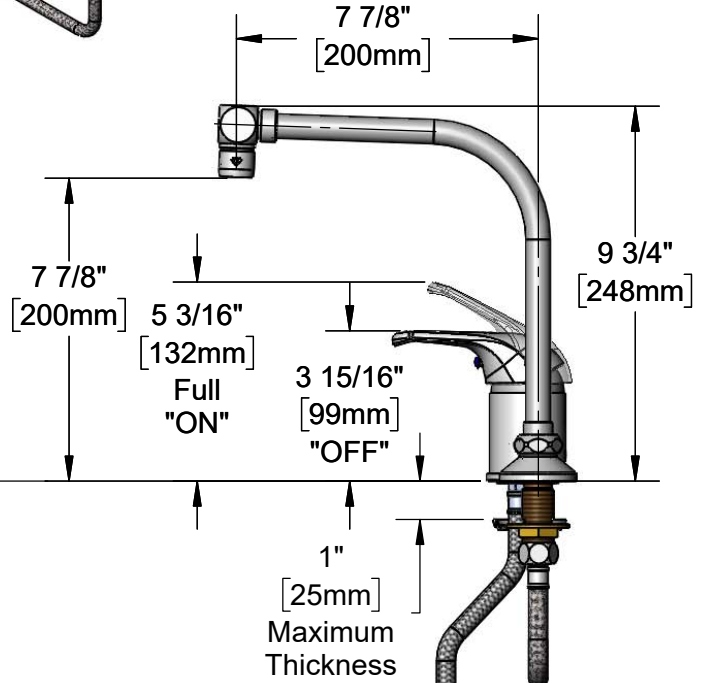
Ø 2 1/8"
 [54mm] Base

Brass Lock
 Nut &
 Threaded
 Locking Rod



Ø 1 11/16"
 [43mm] Base
 w/ 1/2" NPSM
 Male Inlet

(2) 16" Flexible Stainless Steel
 Hoses w/ 3/8" Compression
 Swivel Ends



Rough-in Requirements:
 Swivel Deck Flange: Ø 1" [25mm] Hole
 Sidemount: Ø 1 1/2" [38mm] Hole

Product Specifications:
 Single Lever Side Mount Remote On/Off Control Base Faucet, Ceramic
 Cartridge, High-Arc Swivel/Rigid Gooseneck, Vandal Resistant 2.2 GPM
 Aerator & (2) 16" Flexible Stainless Steel Supply Hoses

Product Compliance:
 ASME A112.18.1 / CSA B125.1
 NSF 61 - Section 9
 NSF 372 (Low Lead Content)
 ANSI A117.1 (ADA)

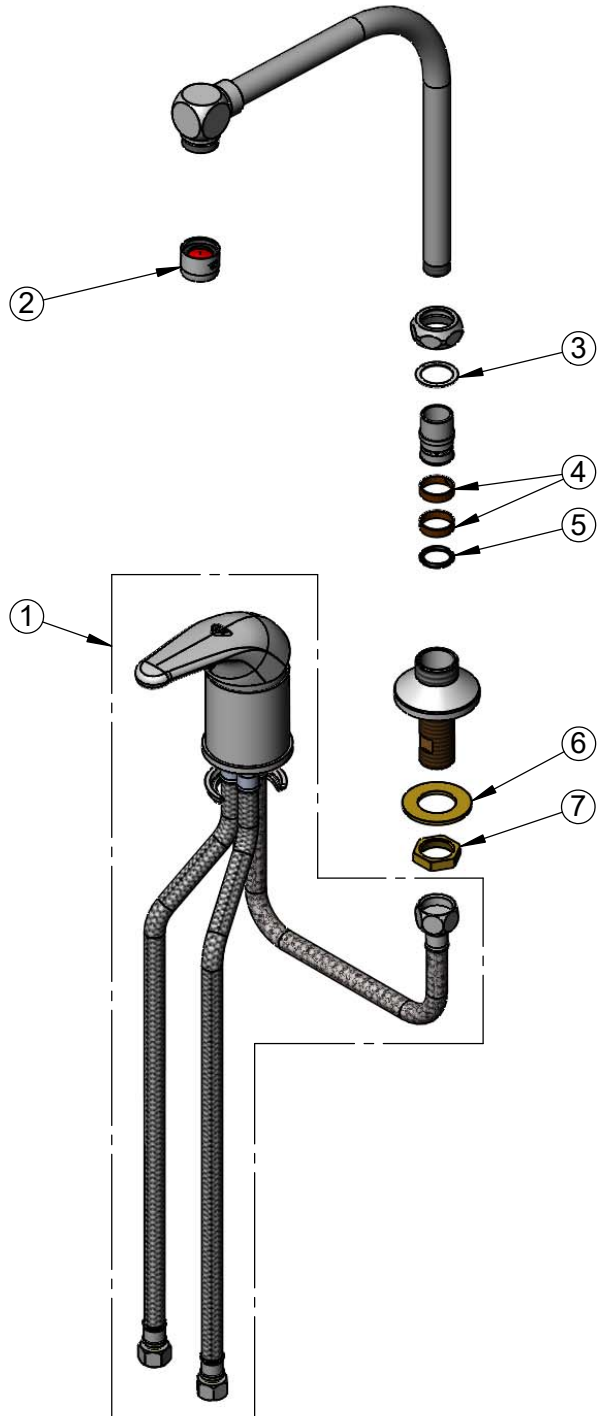


T&S BRASS AND BRONZE WORKS, INC.
 2 Saddleback Cove / P.O. Box 1088
 Travelers Rest, SC 29690

Model No.
B-2746

Item No.

Travelers Rest, SC: 800-476-4103 • Simi Valley, CA: 800-423-0150 • Fax: 864-834-3518 • www.tsbrass.com



ITEM NO.	SALES NO.	DESCRIPTION
1	B-2740	Side Mount Single Lever Control Faucet
2	B-0199-01	2.2 GPM Aerator, 55/64-27 UN Female
3	009538-45	Swivel Washer
4	011429-45	Swivel Sleeves (2)
5	001074-45	O-Ring
6	000999-45	Brass Lock Washer
7	002954-45	Shank Lock Nut

Product Specifications:
 Single Lever Side Mount Remote On/Off Control Base Faucet, Ceramic Cartridge, High-Arc Swivel/Rigid Gooseneck, Vandal Resistant 2.2 GPM Aerator & (2) 16" Flexible Stainless Steel Supply Hoses

Product Compliance:
 ASME A112.18.1 / CSA B125.1
 NSF 61 - Section 9
 NSF 372 (Low Lead Content)
 ANSI A117.1 (ADA)