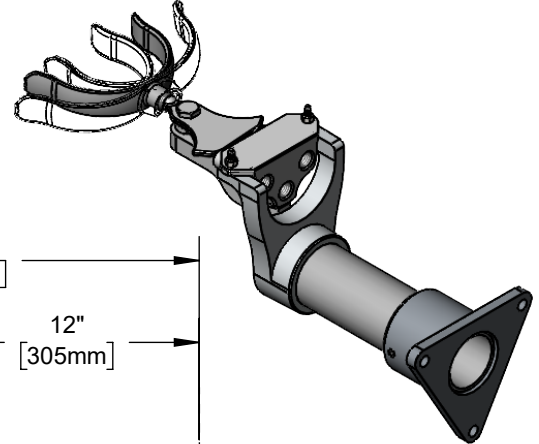
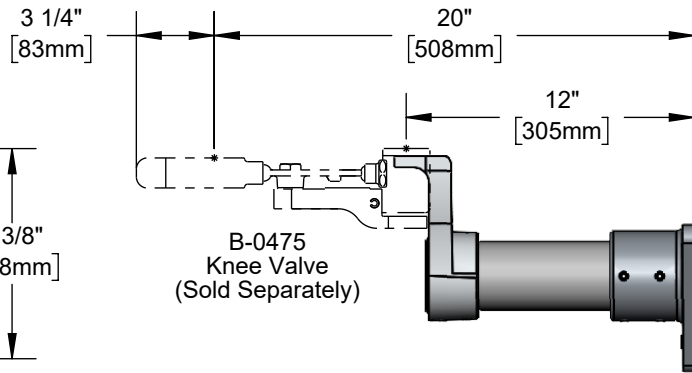
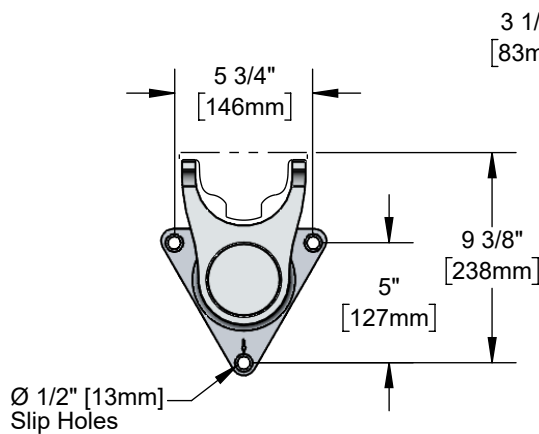




Architect/Engineering Specifications:

Aluminum wall support for knee action valve, adjustable by cutting aluminum pipe, 12" from wall to valve body mounting holes.

Job Name _____
Model Specified _____ Quantity _____
Variations Specified _____
Date _____



Features & Benefits:

- Fastens to wall and supports knee action valve
- Approximately 12" to valve body mounting holes
- Can be shortened in field by cutting Aluminum pipe
- Includes mounting screws
- Material: Aluminum

Product Compliance:

- N/A

Warranty: One Year (Limited)

Performance Data:

- N/A

