



Portable Handwashing Stations

TPS1015-E3130V5

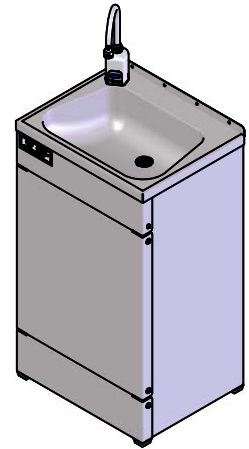
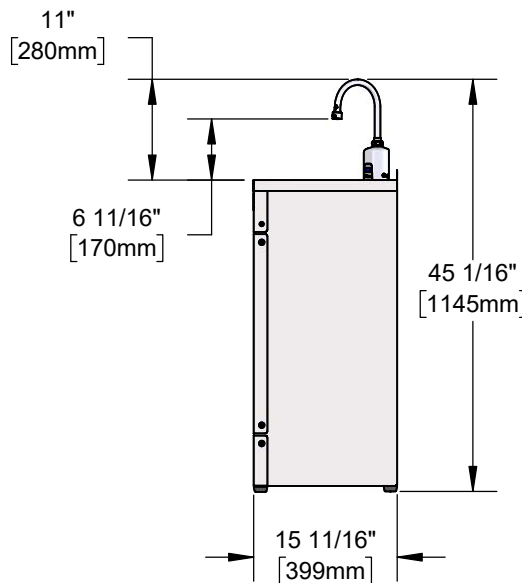
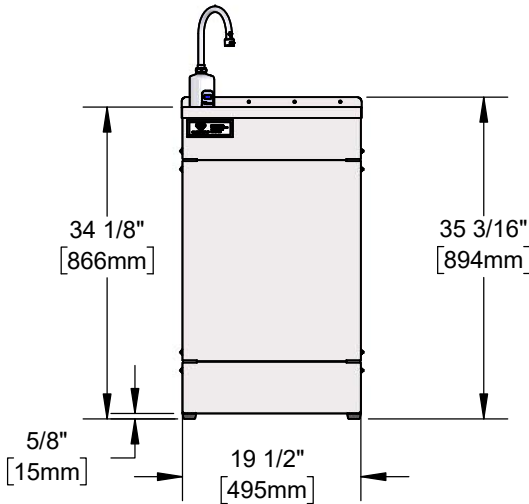
TAG:

Portable Handwashing Station

Architect/Engineering Specifications:

Portable stainless steel handwashing station with single temperature deck mount electronic faucet with polished chrome plated brass body and swivel/rigid gooseneck, 0.5 GPM vandal resistant non-aerated spray device, above deck electronic AC/DC control module with internal flow control settings switches, anti-rotation pin and 3/4" hose connections. Certified to ASME A112.18.1/CSA B125.1 and NSF 372.

Job Name _____
 Model Specified _____ Quantity _____
 Variations Specified _____
 Date _____



Features & Benefits:

- Portable handwashing station
- Single hole single temperature deck mount electronic faucet
- Swivel/rigid gooseneck w/ 0.5 GPM VR non-aerated spray device, Series 6 (B-0199-06-N05)
- Plug in AC transformer or 6 VDC lithium (DC) power options
- 3/4" hose connections for fresh water & waste
- Material: 22-gauge stainless steel handwashing station, polished chrome plated brass body & tubular spout

Product Compliance:

- ASME A112.18.1 / CSA B125.1
- NSF 372 (Low Lead Content)
- NSF 61 Exempt (Non-Potable)



Warranty: One Year (Limited)

Performance Data:

- Flow Rate: 0.5 GPM [1.89 l/min] @ 60 psi [4.14 bar]
- Water Consumption: @10 sec = .08 gal [.30 L]
@15 sec = .13 gal [.49 L]

Optional Accessories

- Swivel Casters
- Backsplash w/ Soap and Paper Towel Holder
- 5 Gallon Waste Tank



T&S BRASS AND BRONZE WORKS, INC.



• 2 Saddleback Cove • Travelers Rest, SC 29690
 Ph 800-476-4103 • Fax 864-834-3518
 • Simi Valley, CA • Ph 800-423-0150 • www.tsbrass.com

Date: 08/25/21