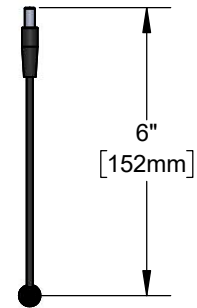
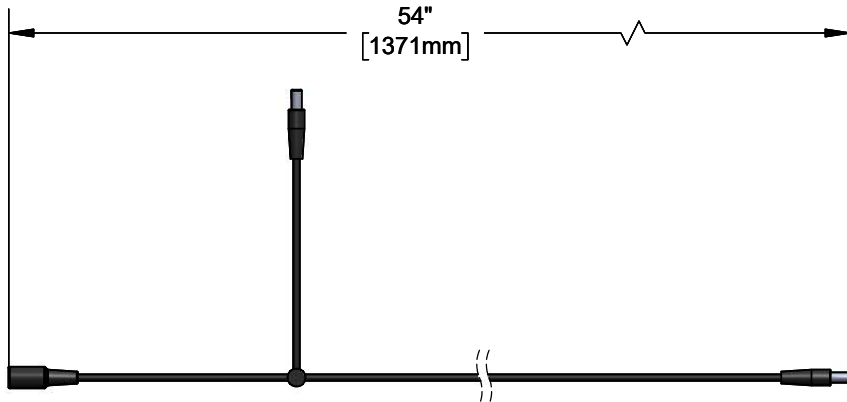




Architect/Engineering Specifications:

4' connector cable for AC transformer connections. Can be used to connect up to 8 electronic faucets.

Job Name _____
 Model Specified _____ Quantity _____
 Variations Specified _____
 Date _____



Features & Benefits:

- 4' connector cable
- Can be used to connect up to (8) ChekPoint electronic faucets in a daisy chain circuit
- For use with EC-EASYWIRE

Product Compliance:

- N/A

Warranty: One Year (Limited)

Performance Data:

- N/A

