



Big-Flo Faucets
BF-0592

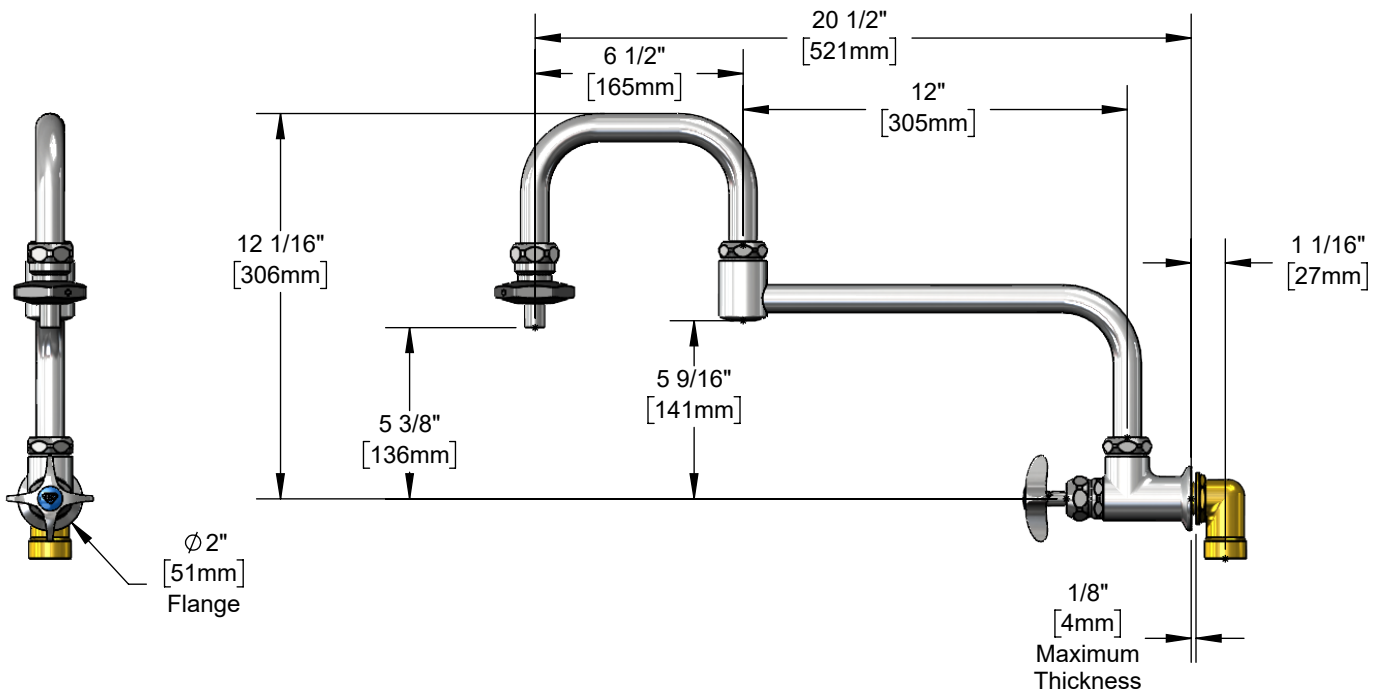
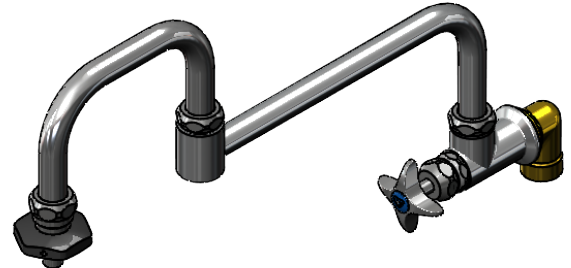
TAG:

Single Hole Wall Mount Faucet

Architect/Engineering Specifications:

Single hole wall mount large flow faucet with large flow compression cartridge, 18 1/2" double joint swing nozzle, on-off volume control outlet with heat resistant handle, 4-arm handle and 3/4" NPT street elbow. Certified to ASME A112.18.1 / CSA B125.1, NSF 61-Section 9 and NSF 372.

Job Name _____
 Model Specified _____ Quantity _____
 Variations Specified _____
 Date _____



Features & Benefits:

- Single hole wall mount Big-Flo faucet
- Big-Flo cartridge
- 18 1/2" double joint Big-Flo swing nozzle
- Lock washer provided for rigid application
- On-off volume control outlet with heat resistant handle
- 4-arm handle with color coded index
- 3/4" NPT street elbow
- Material: Chrome plated brass body and nozzle and chrome plated metal handle

Product Compliance:

- ASME A112.18.1 / CSA B125.1
- NSF 61 - Section 9
- NSF 372 (Low Lead Content)



Warranty: One Year (Limited)

Performance Data:

- Pressure: 20 - 125 psi [1.38 - 8.62 bar]
- Temperature: 40°F - 140°F [4.44°C - 60°C]
- Flow Rate: 25.50 GPM [96.52 L/min] @ 60 psi [4.14 bar]



T&S BRASS AND BRONZE WORKS, INC.



• 2 Saddleback Cove • Travelers Rest, SC 29690
 Ph 800-476-4103 • Fax 864-834-3518
 • Simi Valley, CA • Ph 800-423-0150 • www.tsbrass.com

Date: 08/14/23