



T&S BRASS AND BRONZE WORKS, INC.

2 Saddleback Cove / P.O. Box 1088
Travelers Rest, SC 29690

Model No.

B-0133-01

Item No.

Travelers Rest, SC: 800-476-4103 • Simi Valley, CA: 800-423-0150 • Fax: 864-834-3518 • www.tsbrass.com

This Space for Architect/Engineer Approval

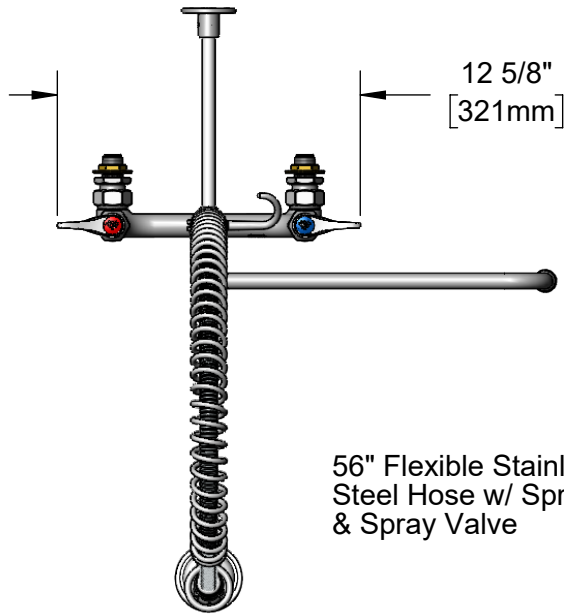
Job Name _____ Date _____

Model Specified _____ Quantity _____

Customer/Wholesaler _____

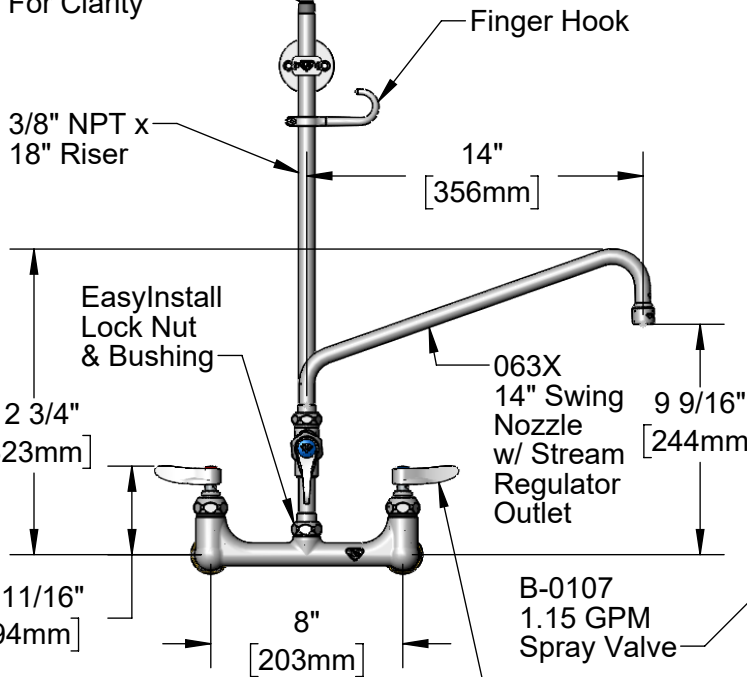
Contractor _____

Architect/Engineer _____



56" Flexible Stainless Steel Hose w/ Spring & Spray Valve

Items Not Shown For Clarity



Finger Hook

3/8" NPT x 18" Riser

14" [356mm]

EasyInstall Lock Nut & Bushing

12 3/4" [323mm]

063X 14" Swing Nozzle w/ Stream Regulator Outlet

9 9/16" [244mm]

3 11/16" [94mm]

8" [203mm]

B-0107 1.15 GPM Spray Valve

Quarter-Turn Eterna Cartridges w/ Spring Checks & Lever Handles w/ Color Coded Indexes

EasyInstall Add-On Faucet w/ Quarter-Turn Eterna Cartridge & Lever Handle

4 7/16" [112mm]

4" [101mm]

14 11/16" [374mm]

B-0109-02 9" Wall Bracket

37 5/8" [956mm]

2 5/16" [59mm]

Mounting Surface

1/2" NPT Male Inlets

3/16" [5mm]

Maximum Thickness

2" [51mm]

Rough-In Requirement:
(2) ϕ 1" [25mm] Mounting Holes

Product Specifications:

Pre-Rinse Unit: EasyInstall 8" Wall Mount Mixing Faucet, Quarter-Turn Eterna Cartridges w/ Spring Checks, Lever Handles, Add-On Faucet, 14" Swing Nozzle, 56" Flexible Stainless Steel Hose, 1.15 GPM Spray Valve, 9" Wall Bracket & 1/2" NPT Male Inlets

Product Compliance:

ASME A112.18.1 / CSA B125.1
NSF 61 - Section 9
NSF 372 (Low Lead Content)
2019 DOE PRSV - Class II



T&S BRASS AND BRONZE WORKS, INC.

2 Saddleback Cove / P.O. Box 1088
Travelers Rest, SC 29690

Model No.

B-0133-01

Item No.

Travelers Rest, SC: 800-476-4103 • Simi Valley, CA: 800-423-0150 • Fax: 864-834-3518 • www.tsbrass.com

ITEM NO.	SALES NO.	DESCRIPTION
1	B-0107	1.15 GPM Spray Valve
2	010476-45	#27 Washer
3	000907-45	Spray Valve Hold Down Ring
4	002987-40	Grip Handle
5	001014-45	Washer, Hose Barrel
6	B-0056-H2A	56" Flexible Stainless Steel Hose, Less Handle
7	000888-45	EasyInstall Overhead Spring
8	000821-40	Spring Body
9	B-0109-02	9" Wall Bracket
10	004R	Finger Hook
11	000369-40	3/8" NPT x 18" Riser
12	B-0155-LNEZ	EasyInstall Add-On Faucet w/ Quarter-Turn Eterna Cartridge, RTC & Lever Handle, Less Nozzle
13	EZ-K	EasyInstall Kit
14	001065-45	O-Ring
15	014200-45	Star Washer, Anti-Rotation
16	018506-19NS	Blue Button Index, Press-in
17	000925-45	Lab Handle Screw
18	002711-40NS	Quarter-Turn Eterna Cartridge w/ Spring Check, Handle, Blue Index & Screw, LTC
19	012442-40NS	Quarter-Turn Eterna Cartridge w/ Spring Check, LTC
20	00CC	1/2" NPT Male Inlet Flange
21	001019-45	Coupling Nut Washer
22	002712-40NS	Quarter-Turn Eterna Cartridge w/ Spring Check, Handle, Red Index & Screw, RTC
23	012443-40NS	Quarter-Turn Eterna Cartridge w/ Spring Check, RTC
24	001638-45NS	Lever Handle (New Style)
25	001193-19NS	Red Button Index, Press-in
26	B-PT	Full Flow Stream Regulator, 55/64-27
27	063X	14" Swing Nozzle

Product Specifications:

Pre-Rinse Unit: EasyInstall 8" Wall Mount Mixing Faucet, Quarter-Turn Eterna Cartridges w/ Spring Checks, Lever Handles, Add-On Faucet, 14" Swing Nozzle, 56" Flexible Stainless Steel Hose, 1.15 GPM Spray Valve, 9" Wall Bracket & 1/2" NPT Male Inlets

Product Compliance:

ASME A112.18.1 / CSA B125.1
NSF 61 - Section 9
NSF 372 (Low Lead Content)
2019 DOE PRSV - Class II