



T&S BRASS AND BRONZE WORKS, INC.

2 Saddleback Cove / P.O. Box 1088
Travelers Rest, SC 29690

Model No.

B-0674-CR-BSTR

Item No.

Travelers Rest, SC: 800-476-4103 • Simi Valley, CA: 800-423-0150 • Fax: 864-834-3518 • www.tsbrass.com



ADA Compliant

This Space for Architect/Engineer Approval

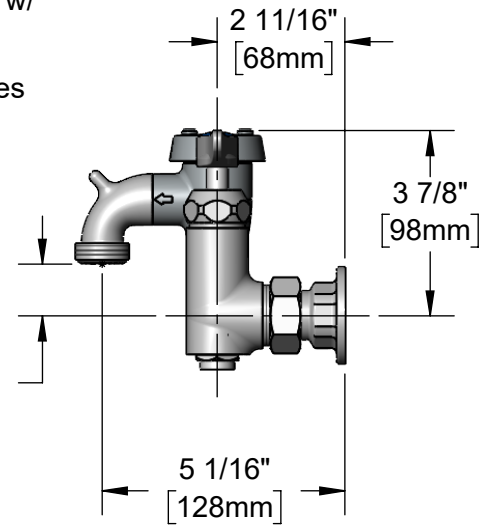
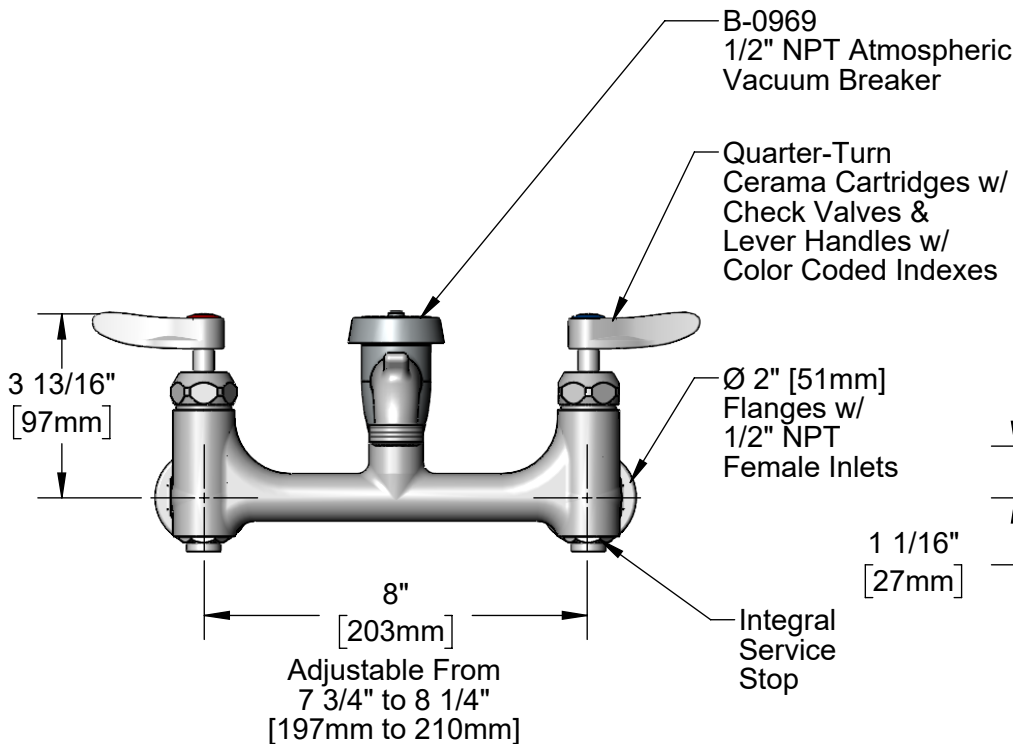
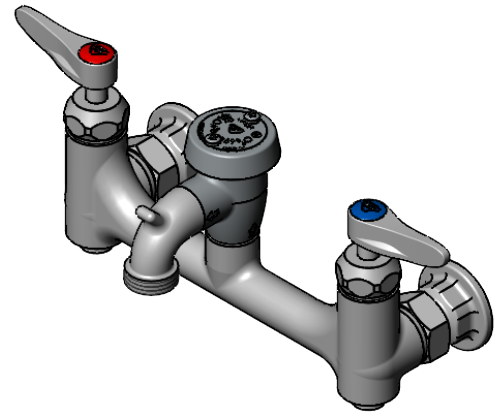
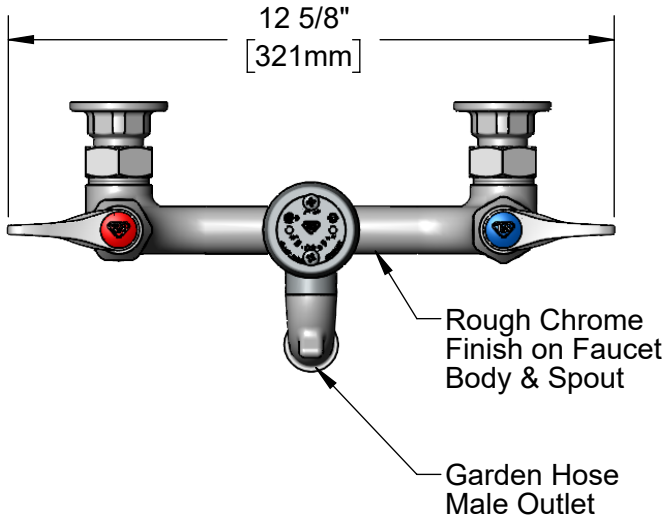
Job Name _____ Date _____

Model Specified _____ Quantity _____

Customer/Wholesaler _____

Contractor _____

Architect/Engineer _____



Product Specifications:

8" Wall Mount Service Sink w/ Inlet Stops, Quarter-Turn Cerama Cartridges w/ Check Valves, Spout w/ Garden Hose Male Outlet, Rough Chrome Finish, Lever Handles, 1/2" NPT Vacuum Breaker & 1/2" NPT Female Inlets

Product Compliance:

ASME A112.18.1 / CSA B125.1
NSF 61 - Section 9
NSF 372 (Low Lead Content)
ANSI A117.1 (ADA)
ASSE 1001 (VB)



T&S BRASS AND BRONZE WORKS, INC.

2 Saddleback Cove / P.O. Box 1088
Travelers Rest, SC 29690

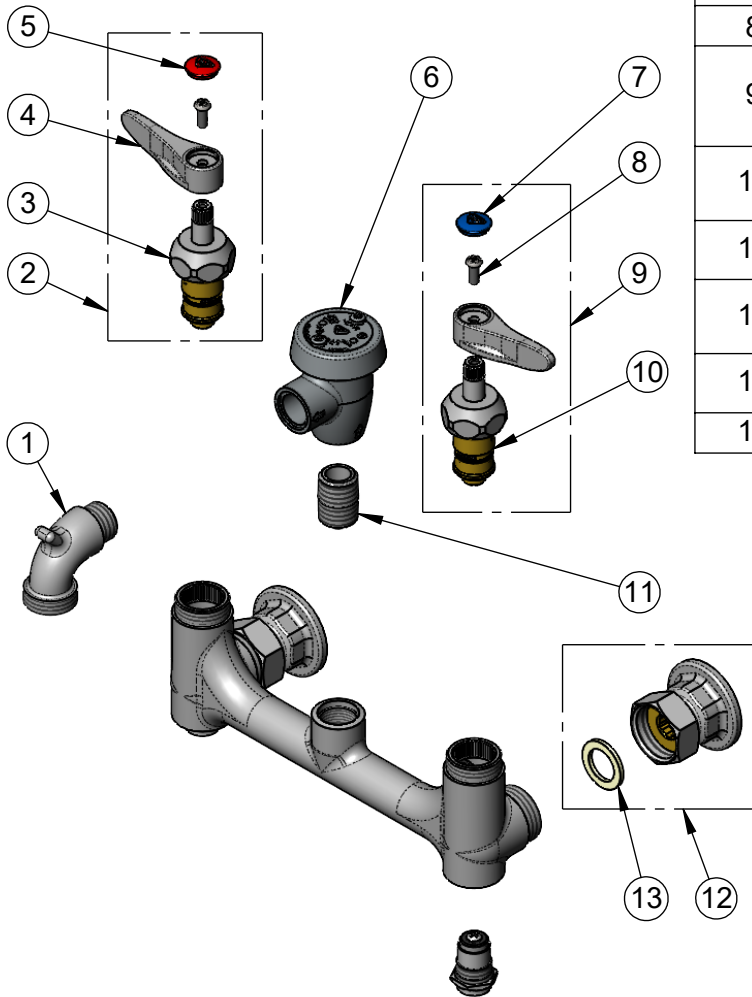
Model No.

B-0674-CR-BSTR

Item No.

Travelers Rest, SC: 800-476-4103 • Simi Valley, CA: 800-423-0150 • Fax: 864-834-3518 • www.tsbrass.com

| ITEM NO. | SALES NO. | DESCRIPTION |
|----------|-------------|--|
| 1 | 000270-25 | Rough Chrome Spout w/ Garden Hose Outlet |
| 2 | 012446-25NS | Quarter-Turn Cerama Cartridge, RTC w/ Check Valve, Handle, Index & Screw |
| 3 | 012394-25NS | Quarter-Turn Cerama Cartridge, RTC w/ Check Valve |
| 4 | 001638-45NS | Lever Handle (New Style) |
| 5 | 001193-19NS | Red Button Index, Press-in |
| 6 | B-0969 | 1/2" NPT Vacuum Breaker |
| 7 | 018506-19NS | Blue Button Index, Press-in |
| 8 | 000925-45 | Lab Handle Screw |
| 9 | 012447-25NS | Quarter-Turn Cerama Cartridge, LTC w/ Check Valve, Handle, Index & Screw |
| 10 | 012395-25NS | Quarter-Turn Cerama Cartridge, LTC w/ Check Valve |
| 11 | 002534-25 | Close Nipple, 1/2" NPT |
| 12 | 00AA | 1/2" NPT Female Eccentric Flange |
| 13 | 001019-45 | Coupling Nut Washer |
| 14 | 163A | Built-in Service Stop |



Product Specifications:

8" Wall Mount Service Sink w/ Inlet Stops, Quarter-Turn Cerama Cartridges w/ Check Valves, Spout w/ Garden Hose Male Outlet, Rough Chrome Finish, Lever Handles, 1/2" NPT Vacuum Breaker & 1/2" NPT Female Inlets

Product Compliance:

ASME A112.18.1 / CSA B125.1
NSF 61 - Section 9
NSF 372 (Low Lead Content)
ANSI A117.1 (ADA)
ASSE 1001 (VB)