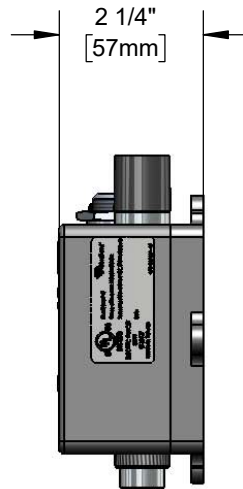
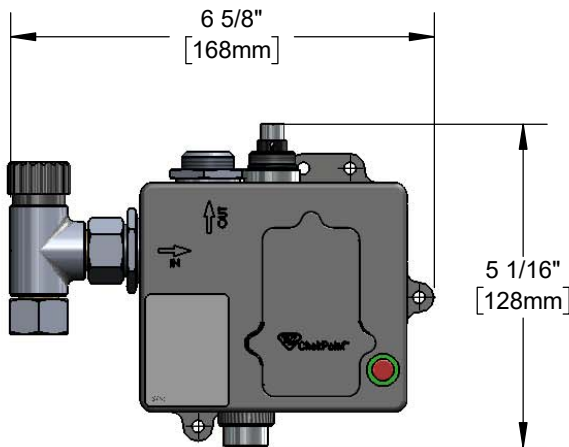
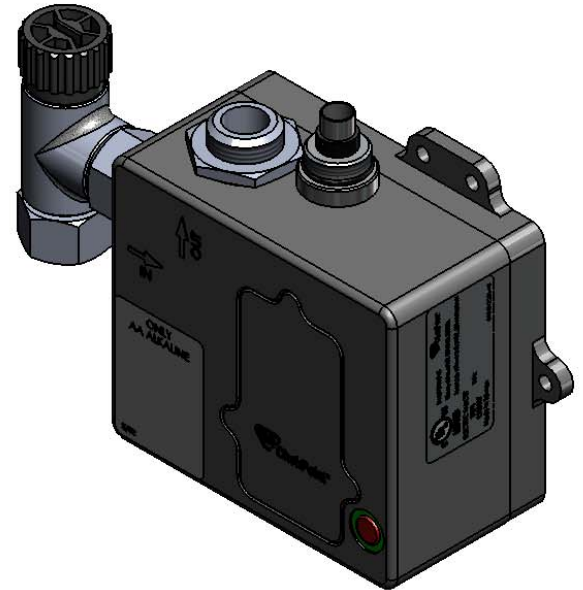




Architect/Engineering Specifications:

ChekPoint sensor faucet control module with gray module housing, internal flow control setting switches for adjusting auto time out & shut off delay settings, optional auto flush feature flows water for 30 seconds after every 12 inactive hours and hardwire capable using terminals on back . Certified to NSF 61-Section 9, NSF 372 and UL 1951.

Job Name _____
 Model Specified _____ Quantity _____
 Variations Specified _____
 Date _____



Features & Benefits:

- ChekPoint sensor faucet control module w/ gray module housing
- Internal flow control setting switches for adjusting auto time out & shut off delay settings
- Optional auto flush feature flows water for 30 seconds after every 12 inactive hours
- Hardwire capable using terminals on back
- EC-HARDWIRE transformer required / sold separately

Product Compliance:

- UL 1951
- NSF 61 - Section 9
- NSF 372 (Low Lead Content)

Warranty: Three Year (Limited)

Performance Data:

- Pressure: 20 - 125 psi
- Temperature: 40 °F - 140 °F

