



# T&S BRASS AND BRONZE WORKS, INC.

2 Saddleback Cove / P.O. Box 1088  
Travelers Rest, SC 29690

Model No.

**ECW-3158-BN**

Item No.

Travelers Rest, SC: 800-476-4103 • Simi Valley, CA: 800-423-0150 • Fax: 864-834-3518 • www.tsbrass.com

This Space for Architect/Engineer Approval

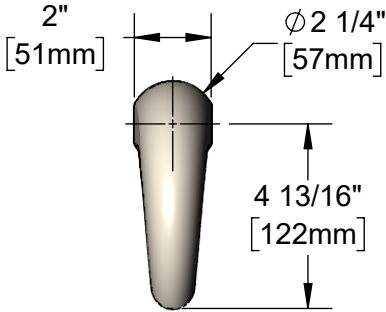
Job Name \_\_\_\_\_ Date \_\_\_\_\_

Model Specified \_\_\_\_\_ Quantity \_\_\_\_\_

Customer/Wholesaler \_\_\_\_\_

Contractor \_\_\_\_\_

Architect/Engineer \_\_\_\_\_



**WAVECREST™**  
BY T&S



**ADA Compliant**

Brushed Nickel Cast Brass Spout  
0.5 GPM [1.9 L/min] Concealed Non-Aerated Spray Device

Mounting Surface

1/2" NPSM x 1/4" NPSM  
18" [457mm] Flexible  
Stainless Steel Hose

24" [610mm] Sensor Cable

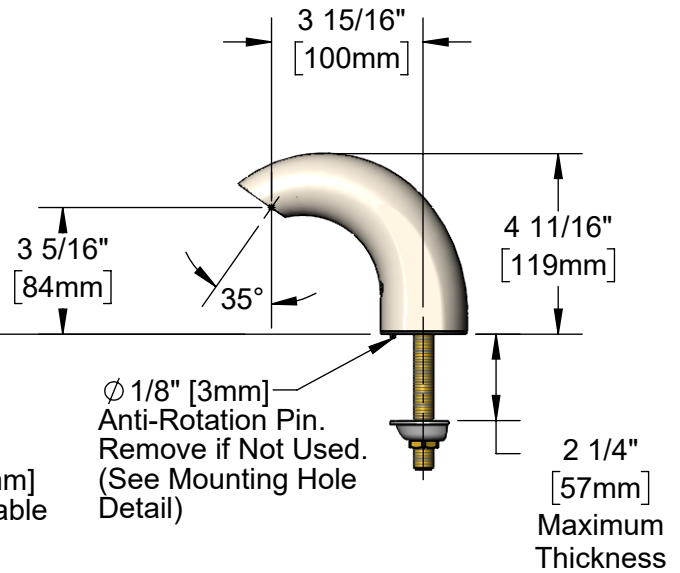
Removable Strainer

100-240 VAC Adapter w/  
72" [1830mm] Power Cable.

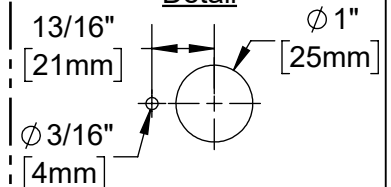
4" x 4 3/8" x 2 3/16" Deep  
[102mm x 111mm x 56mm]  
Water Resistant Control Module Box (Brown)  
w/ Internal Flow Control Setting Switches,  
AC or DC Operated w/ (4) AA Batteries.  
Hardwire Capable Using Terminals on Back

(2) 3/8" Compression x  
1/2" NPSM x 18" [457mm]  
Flexible Stainless Steel  
Supply Hoses

Temperature Mixing Valve  
w/ Integral Check Valves



**Mounting Hole Detail**



**Product Specifications:**

Brushed Nickel Brass Electronic Faucet: Single Hole, Deck Mount, Compact Cast Spout w/ 0.5 GPM Concealed Non-Aerated Spray Device, AC/DC Control Module w/ Internal Flow Control Setting Switches, Temperature Control Mixing Valve w/ Integral Check Valves & 18" Hot & Cold Supply Stop Flexible Connector Hoses

**Product Compliance:**

ASME A112.18.1 / CSA B125.1  
NSF 61 - Section 9  
NSF 372 (Low Lead Content)  
ANSI A117.1 (ADA)  
UL 1951



# T&S BRASS AND BRONZE WORKS, INC.

2 Saddleback Cove / P.O. Box 1088  
Travelers Rest, SC 29690

Model No.

**ECW-3158-BN**

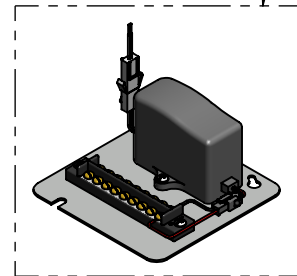
Item No.

Travelers Rest, SC: 800-476-4103 • Simi Valley, CA: 800-423-0150 • Fax: 864-834-3518 • www.tsbrass.com



ITEM NO.	SALES NO.	DESCRIPTION
1	020756-45	Curved Hidden Sensor w/ Screw
2	B-0199-M16-V05	0.5 GPM Cache TT Flow Device
3	020673-45	Yellow VR Key
4	020754-45	WaveCrest Sensor Cable
5	016297-45	Inlet Hose, Faucet, 1/2" NPSM-F x 1/4" NPSM-F
6	EC-FILTER	Replacement Filter
7	020744-45	WaveCrest Control Module w/ Filter Tee
8	5EF-0002C	AC Adapter - US Plug
9	5EF-0005	Supply Hose, 9/16-24 Female x 1/2" NPSM
10	5EF-0006	Temperature Mixing Valve

A Maximum of (8) ChekPoint Faucets can be Hardwire Connected and Powered by EC-HARDWIRE ChekPoint Hardwire AC Transformer. (Sold Separately)



Flow Control Switches are Located Behind Battery Compartment Cover.  
\* Switches are Set to DEFAULT Position:  
- Auto Time Out = 15 Seconds  
- Shut Off Delay = 1 Second  
- Auto Flush = OFF  
- Metering Mode = OFF

**\* Available Water Flow Control Selections:**

- Auto Time Out: 15 sec, 30 sec, 45 sec, 60 sec, 3 min, 20 min
- Shut Off Delay: 1 sec, 10 sec, 15 sec, 30 sec
- Auto Flush (30 Seconds After Every 12 Inactive Hours): ON or OFF
- Metering Mode: ON or OFF

**Product Specifications:**  
Brushed Nickel Brass Electronic Faucet: Single Hole, Deck Mount, Compact Cast Spout w/ 0.5 GPM Concealed Non-Aerated Spray Device, AC/DC Control Module w/ Internal Flow Control Setting Switches, Temperature Control Mixing Valve w/ Integral Flow Check Valves & 18" Hot & Cold Supply Stop Flexible Connector Hoses

**Product Compliance:**  
ASME A112.18.1 / CSA B125.1  
NSF 61 - Section 9  
NSF 372 (Low Lead Content)  
ANSI A117.1 (ADA)  
UL 1951