

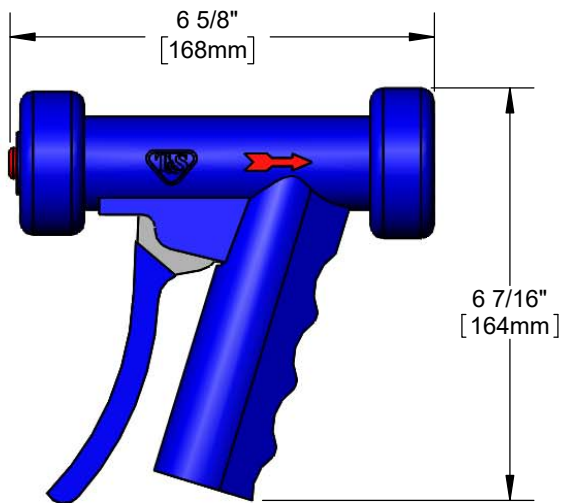


Aluminum Rear Trigger Water Gun

Architect/Engineering Specifications:

Heavy duty rear trigger water gun, aluminum with blue rubber cover, Ø 5/16" flow orifice and 1/2" NPT x 1/2" hose barb adapter.

Job Name _____
 Model Specified _____ Quantity _____
 Variations Specified _____
 Date _____



Features & Benefits:

- Heavy duty rear trigger water gun
- Aluminum with blue rubber cover
- Ø 5/16" flow orifice
- 1/2" NPT x 1/2" hose barb adapter
- Automatic shut-off
- Material: Aluminum and rubber

Product Compliance:

- NSF 61 Exempt (Non-Potable)

Warranty: One Year (Limited)

Performance Data:

- Pressure: 20 - 125 psi [1.38 - 8.62 bar]
- Temperature: 40 °F - 150 °F [4.44 °C - 65.55 °C]
- Flow Rate: 8.15 GPM [30.85 L/min] @ 60 psi [4.14 bar]

