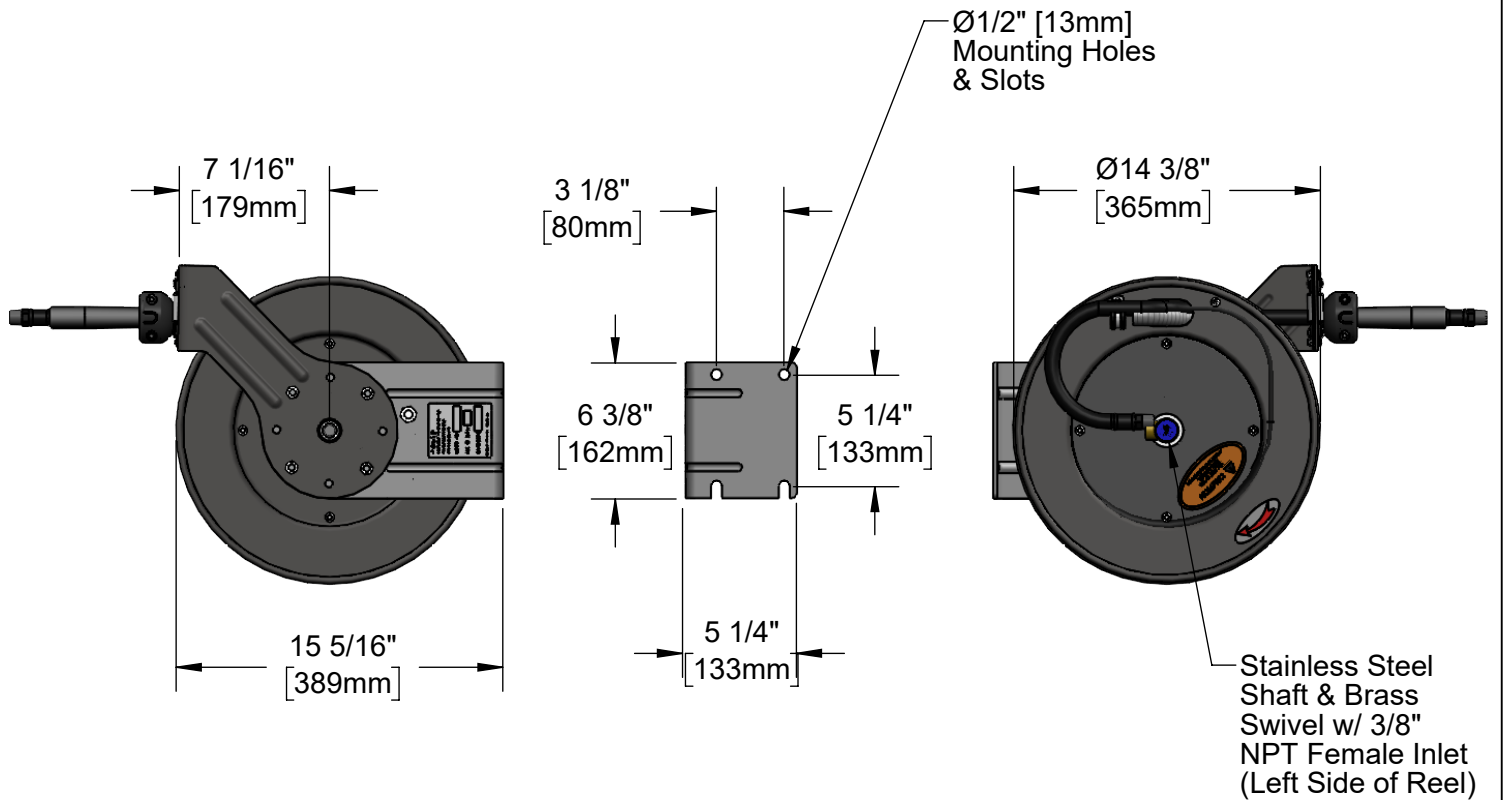
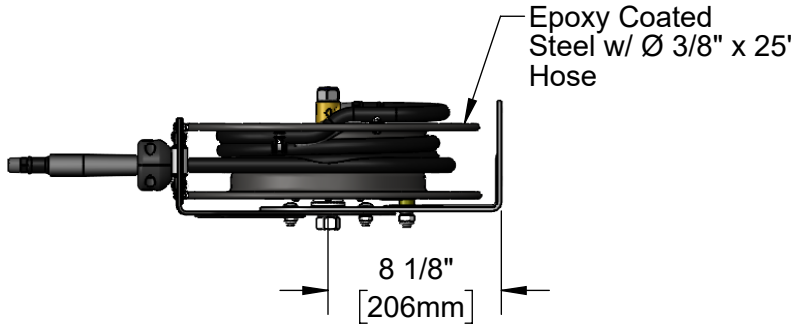
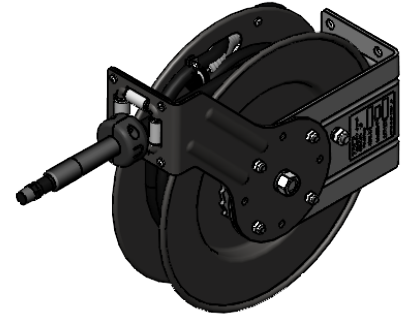


*This Space for Architect/Engineer Approval*

Job Name \_\_\_\_\_ Date \_\_\_\_\_  
 Model Specified \_\_\_\_\_ Quantity \_\_\_\_\_  
 Customer/Wholesaler \_\_\_\_\_  
 Contractor \_\_\_\_\_  
 Architect/Engineer \_\_\_\_\_



Model Number  
**5HR-222**

Product Compliance:  
 NSF 61 Exempt (Non-Potable)

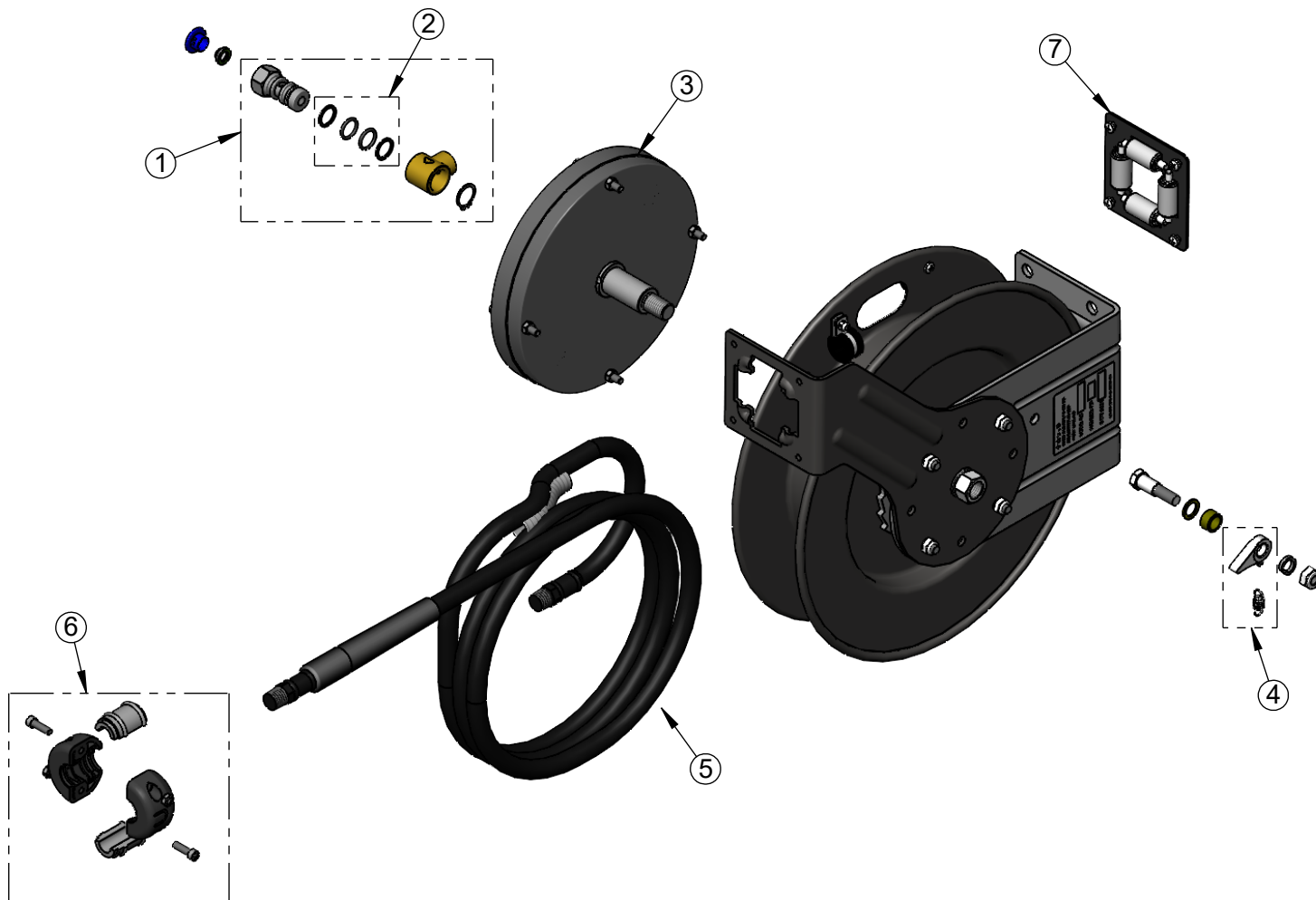
Product Specifications:  
 Epoxy Coated Steel, Open Hose Reel  
 w/ Ø 3/8" x 25' Hose

equip Foodservice Accessories



2 Saddleback Cove, P.O. Box 1088  
 Travelers Rest, South Carolina 29690  
 Phone: 800.891.4808 Fax: 800.868.0084  
 equip.tsbrass.com

ITEM NO.	SALES NO.	DESCRIPTION
1	5HR-2SA	Complete 3/8" Swivel Assembly
2	014948-45	Seal Kit
3	G016682-45	Spring Assembly
4	014940-45	Ratchet Repair Kit
5	5HR-2HSE-25	Ø 3/8" x 25' Hose
6	019246-45	Hose Stop Repair Kit
7	G016631-45	Roller Kit



Model Number

**5HR-222**

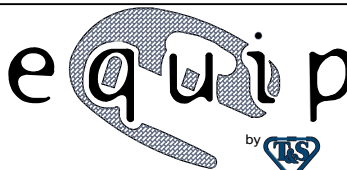
Product Specifications:

**Epoxy Coated Steel, Open Hose Reel  
w/ Ø 3/8" x 25' Hose**

Product Compliance:

NSF 61 Exempt (Non-Potable)

equip  
Foodservice  
Accessories



2 Saddleback Cove, P.O. Box 1088  
Travelers Rest, South Carolina 29690  
Phone: 800.891.4808 Fax: 800.868.0084  
equip.tsbrass.com

Drawn: MDF

Checked: DMH

Approved: JHB

Date: 10/18/24

Scale: NTS

Sheet: 2 of 2