



**T&S BRASS AND BRONZE WORKS, INC.**  
 2 Saddleback Cove / P.O. Box 1088  
 Travelers Rest, SC 29690

Model No.

**PG-8WSAV-08**

Item No.

Travelers Rest, SC: 800-476-4103 • Simi Valley, CA: 800-423-0150 • Fax: 864-834-3518 • www.tsbrass.com

This Space for Architect/Engineer Approval

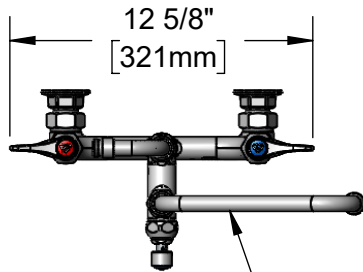
Job Name \_\_\_\_\_ Date \_\_\_\_\_

Model Specified \_\_\_\_\_ Quantity \_\_\_\_\_

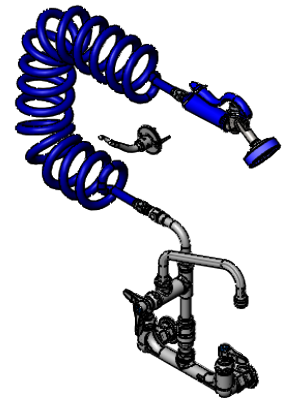
Customer/Wholesaler \_\_\_\_\_

Contractor \_\_\_\_\_

Architect/Engineer \_\_\_\_\_

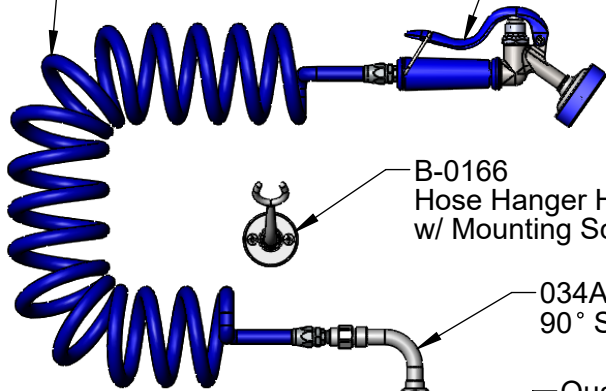


060X  
8" Swing Nozzle w/  
Stream Regulator Outlet



Coiled Polyurethane  
Hose. 9 Ft. Maximum  
Stretch Length.

Lightweight Aluminum  
Spray Valve w/ Rubber  
Grip & Hold Down Clip



B-0166  
Hose Hanger Hook  
w/ Mounting Screws

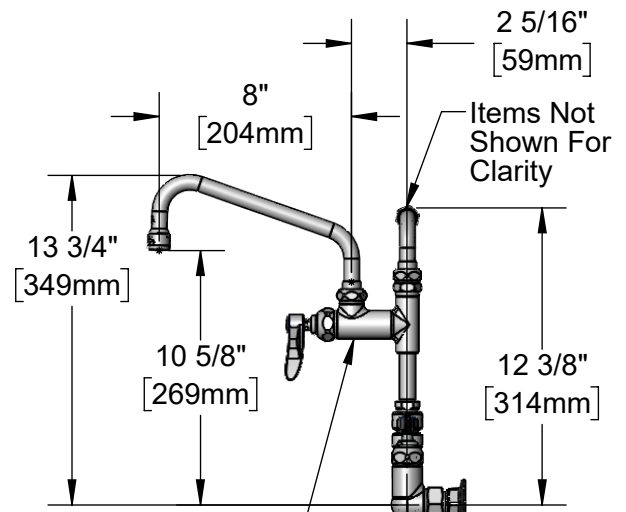
034A  
90° Swivel Adapter

EasyInstall  
3/8" Continuous  
Pressure  
Vacuum Breaker

Quarter-Turn  
Eterna Cartridges w/  
Spring Checks &  
Lever Handles w/  
Color Coded Indexes

Ø 2" [51mm]  
Flanges w/  
1/2" NPT  
Female Inlets

8"  
[203mm]  
Adjustable From  
7 3/4" to 8 1/4"  
[197mm to 210mm]



Items Not  
Shown For  
Clarity

Add-On Faucet  
w/ Quarter-Turn  
Eterna Cartridge  
& Lever Handle

2 3/8"  
[61mm]

Mounting  
Surface

**Product Specifications:**

Pet Grooming Station: 8" Wall Mount Mixing Faucet, Quarter-Turn Eterna Cartridges w/ Spring Checks, Lever Handles, Vacuum Breaker, Add-On Faucet, 8" Swing Nozzle w/ Stream Regulator Outlet, 90° Swivel Arm, 9' Coiled Hose w/ Angled Aluminum Spray Valve, Hanger Hook & 1/2" NPT Female Inlets

**Product Compliance:**

ASME A112.18.1 / CSA B125.1  
 NSF 61 Exempt (Non-Potable)  
 CSA B64.8 (VB)



# T&S BRASS AND BRONZE WORKS, INC.

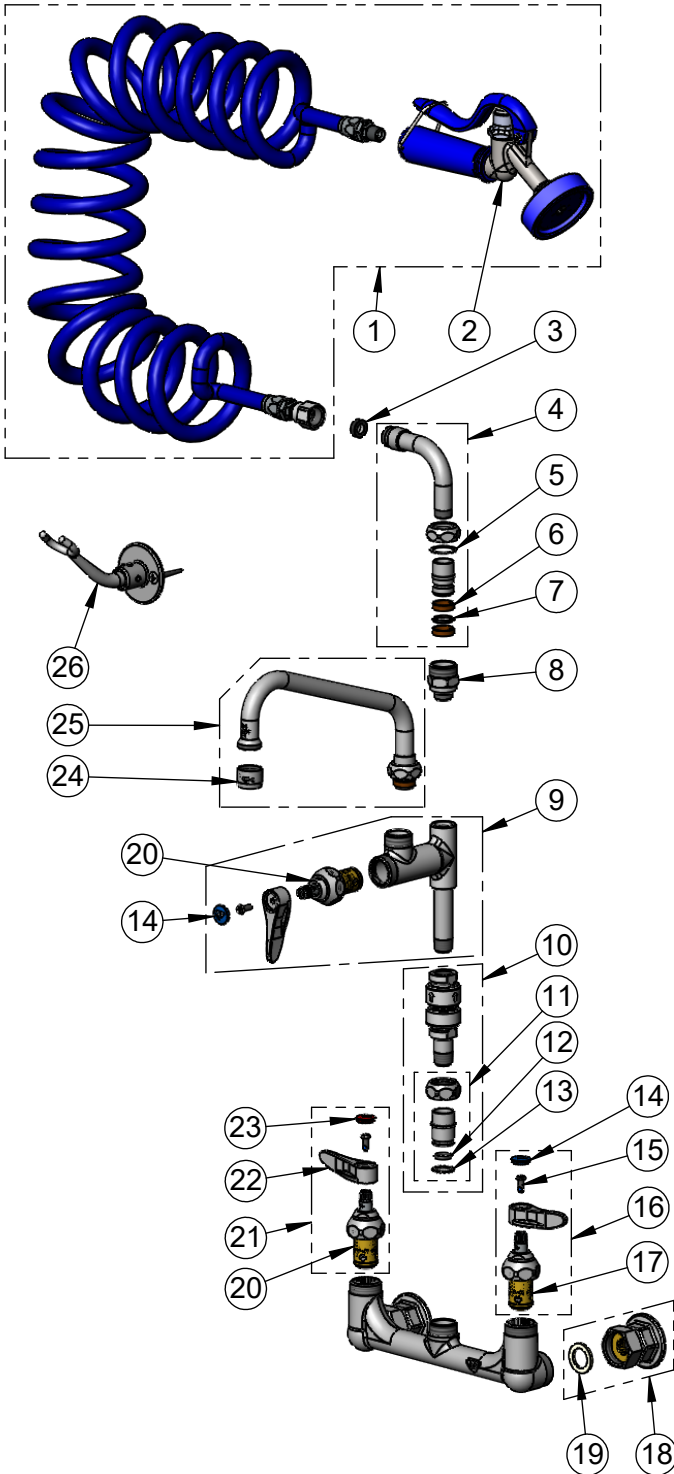
2 Saddleback Cove / P.O. Box 1088  
Travelers Rest, SC 29690

Model No.

**PG-8WSAV-08**

Item No.

Travelers Rest, SC: 800-476-4103 • Simi Valley, CA: 800-423-0150 • Fax: 864-834-3518 • www.tsbrass.com



ITEM NO.	SALES NO.	DESCRIPTION
1	PG-35AV-CH05	Lightweight Aluminum Angled Spray Valve w/ Coiled Polyurethane Hose
2	PG-35AV	Lightweight Aluminum Angled Spray Valve
3	010476-45	#27 Washer
4	034A	90° Swivel Adapter
5	009538-45	Swivel Washer
6	011429-45	Swivel Sleeves (2)
7	001074-45	O-Ring
8	B-0412	Rigid to Swivel Adapter
9	B-0155-LN	Add-On Faucet
10	B-0970-FEZ	EasyInstall 3/8" NPT Vacuum Breaker
11	EZ-K	EasyInstall Kit
12	001065-45	O-Ring
13	014200-45	Star Washer, Anti-Rotation
14	018506-19NS	Blue Button Index, Press-in
15	000925-45	Lab Handle Screw
16	002711-40NS	Quarter-Turn Eterna Cartridge w/ Spring Check, Handle, Blue Index & Screw, LTC
17	012442-40NS	Quarter-Turn Eterna Cartridge w/ Spring Check, LTC
18	00AA	1/2" NPT Female Eccentric Flange
19	001019-45	Coupling Nut Washer
20	012443-40NS	Quarter-Turn Eterna Cartridge w/ Spring Check, RTC
21	002712-40NS	Quarter-Turn Eterna Cartridge w/ Spring Check, Handle, Red Index & Screw, RTC
22	001638-45NS	Lever Handle (New Style)
23	001193-19NS	Red Button Index, Press-in
24	B-PT	Full Flow Stream Regulator Outlet, 55/64-27
25	060X	8" Swing Nozzle w/ Stream Regulator Outlet
26	B-0166	Wall Hook

**Product Specifications:**

Pet Grooming Station: 8" Wall Mount Mixing Faucet, Quarter-Turn Eterna Cartridges w/ Spring Checks, Lever Handles, Vacuum Breaker, Add-On Faucet, 8" Swing Nozzle w/ Stream Regulator Outlet, 90° Swivel Arm, 9' Coiled Hose w/ Angled Aluminum Spray Valve, Hanger Hook & 1/2" NPT Female Inlets

**Product Compliance:**

ASME A112.18.1 / CSA B125.1  
NSF 61 Exempt (Non-Potable)  
CSA B64.8 (VB)