



# T&S BRASS AND BRONZE WORKS, INC.

2 Saddleback Cove / P.O. Box 1088  
Travelers Rest, SC 29690

Model No.

**P3-8WREV-00RZJZ**

Item No.

Travelers Rest, SC: 800-476-4103 • Simi Valley, CA: 800-423-0150 • Fax: 864-834-3518 • www.tsbrass.com

This Space for Architect/Engineer Approval

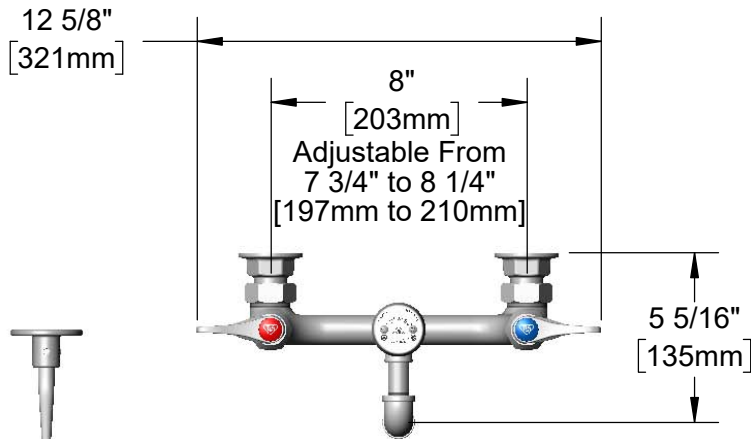
Job Name \_\_\_\_\_ Date \_\_\_\_\_

Model Specified \_\_\_\_\_ Quantity \_\_\_\_\_

Customer/Wholesaler \_\_\_\_\_

Contractor \_\_\_\_\_

Architect/Engineer \_\_\_\_\_



Hose Hanger  
Hook w/  
Mounting  
Screws

EB-0107-035  
High Flow  
Angled Blue  
Spray Valve

B-0968  
Atmospheric  
Vacuum Breaker

Quarter-Turn  
Eterna Cartridges w/  
Spring Checks &  
Lever Handles w/  
Color Coded Indexes

Items  
Not Shown  
For Clarity

Ø 2" [51mm]  
Flanges w/  
1/2" NPT  
Female Inlets

EB-0104-H  
104" Flexible  
Stainless Steel  
Hose w/ Blue  
Handle



4 9/16"  
[116mm]

2 3/8"  
[61mm]

3/8 NPT Male  
x 3/4-14 Male  
Adapter

Mounting  
Surface

**Product Specifications:**

Pet Grooming Station: 8" Wall Mount Mixing Faucet, Quarter-Turn Eterna Cartridges w/ Spring Checks, Lever Handles, Vacuum Breaker, 104" Flexible Stainless Steel Hose w/ High Flow Angled Blue Spray Valve & 1/2" NPT Female Inlets

**Product Compliance:**

ASME A112.18.1 / CSA B125.1  
NSF 61 Exempt (Non-Potable)  
ASSE 1001 (VB)  
2019 DOE PRSV Non-Compliant



# T&S BRASS AND BRONZE WORKS, INC.

2 Saddleback Cove / P.O. Box 1088  
Travelers Rest, SC 29690

Model No.

**P3-8WREV-00RZJZ**

Item No.

Travelers Rest, SC: 800-476-4103 • Simi Valley, CA: 800-423-0150 • Fax: 864-834-3518 • www.tsbrass.com

ITEM NO.	SALES NO.	DESCRIPTION
1	EB-0107-035	Angled High Flow Spray Valve
2	010476-45	#27 Washer
3	000907-45	Spray Valve Hold Down Ring
4	011482-40	Blue Grip Handle
5	001014-45	Washer, B-0100 Hose Barrel
6	B-0968	3/8" NPT Vacuum Breaker
7	000357-40	Nipple, 3/8" NPT x 2"
8	001355-40	Elbow, 3/8 NPT
9	B-0166	6" Wall Bracket
10	001193-19NS	Red Button Index, Press-in
11	001638-45NS	Lever Handle (New Style)
12	012443-40NS	Quarter-Turn Eterna Cartridge, RTC w/ Spring Check
13	002712-40NS	Quarter-Turn Eterna Cartridge, RTC w/ Spring Check, Handle, Index & Screw
14	053A	3/8" NPT x 3/4-14 Male Adapter
15	EZ-K	EasyInstall Kit: Bushing, O-Ring & Lock Washer
16	001065-45	O-ring
17	014200-45	Star Washer, Anti-Rotation
18	018506-19NS	Blue Button Index, Press-in
19	000925-45	Lab Handle Screw
20	012442-40NS	Quarter-Turn Eterna Cartridge, LTC w/ Spring Check
21	002711-40NS	Quarter-Turn Eterna Cartridge, LTC w/ Spring Check, Handle, Index & Screw
22	00AA	1/2" NPT Female Eccentric Flange
23	001019-45	Coupling Nut Washer
24	EB-0104-H	104" Flexible Stainless Steel Hose & Blue Handle

**Product Specifications:**  
 Pet Grooming Station: 8" Wall Mount Mixing Faucet, Quarter-Turn Eterna Cartridges w/ Spring Checks, Lever Handles, Vacuum Breaker, 104" Flexible Stainless Steel Hose w/ High Flow Angled Blue Spray Valve & 1/2" NPT Female Inlets

**Product Compliance:**  
 ASME A112.18.1 / CSA B125.1  
 NSF 61 Exempt (Non-Potable)  
 ASSE 1001 (VB)  
 2019 DOE PRSV Non-Compliant