



T&S BRASS AND BRONZE WORKS, INC.
 2 Saddleback Cove / P.O. Box 1088
 Travelers Rest, SC 29690

Model No.

PG-8DSAN-08

Item No.

Travelers Rest, SC: 800-476-4103 • Simi Valley, CA: 800-423-0150 • Fax: 864-834-3518 • www.tsbrass.com

This Space for Architect/Engineer Approval

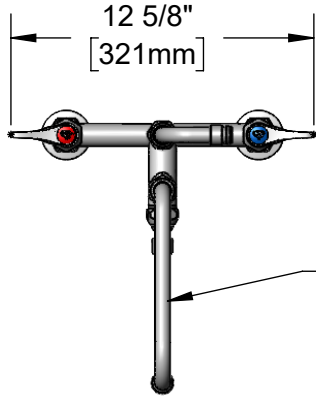
Job Name _____ Date _____

Model Specified _____ Quantity _____

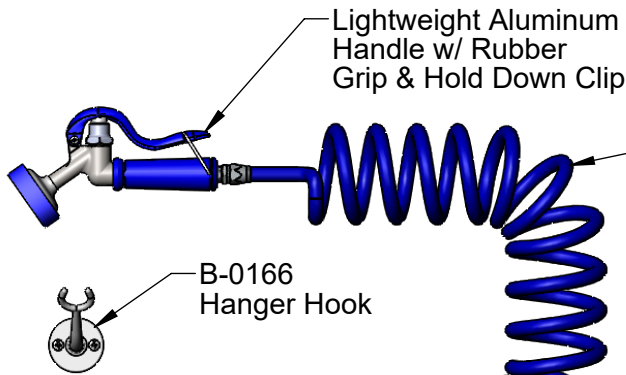
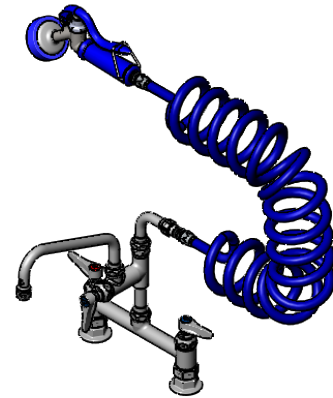
Customer/Wholesaler _____

Contractor _____

Architect/Engineer _____



060X
 8" Swing Nozzle w/
 Stream Regulator Outlet



Lightweight Aluminum
 Handle w/ Rubber
 Grip & Hold Down Clip

Coiled Polyurethane Hose
 Maximum Stretch Length of 9 ft

B-0166
 Hanger Hook

EasyInstall
 Lock Nut &
 Bushing

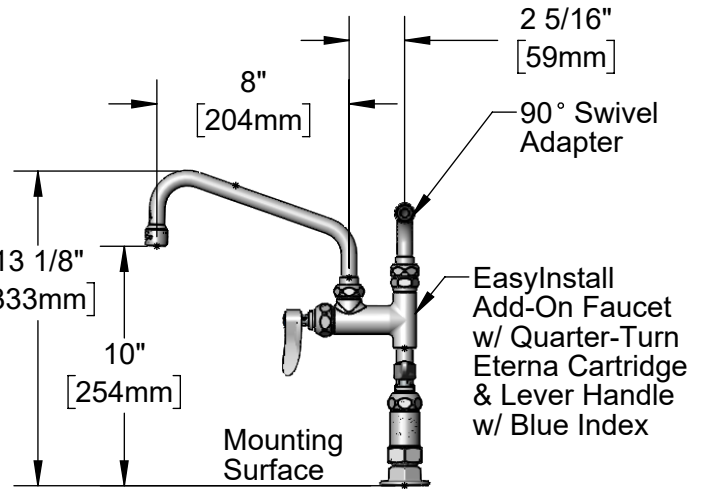
Quarter-Turn
 Eterna Cartridges w/
 Spring Checks &
 Lever Handles w/
 Color Coded Indexes

5 3/16"
 [131mm]

8"
 [203mm]

Adjustable From
 7 3/4" to 8 1/4"
 [197mm to 210 mm]

Ø 2" [51mm]
 Flanges w/
 1/2" NPT
 Female Inlets



Product Specifications:

Pet Grooming Unit:

8" Deck Mount Mixing Faucet, Quarter-Turn Eterna Cartridges w/ Spring Checks, Lever Handles, Add-On Faucet, 8" Swing Nozzle w/ Steam Regulator Outlet, Swivel Arm Less Vacuum Breaker, 9 ft Coiled Polyurethane Hose w/ Angled Aluminum Spray Valve & 1/2" NPT Female Inlets

Product Compliance:

ASME A112.18.1 / CSA B125.1
 NSF 61 Exempt (Non-Potable)

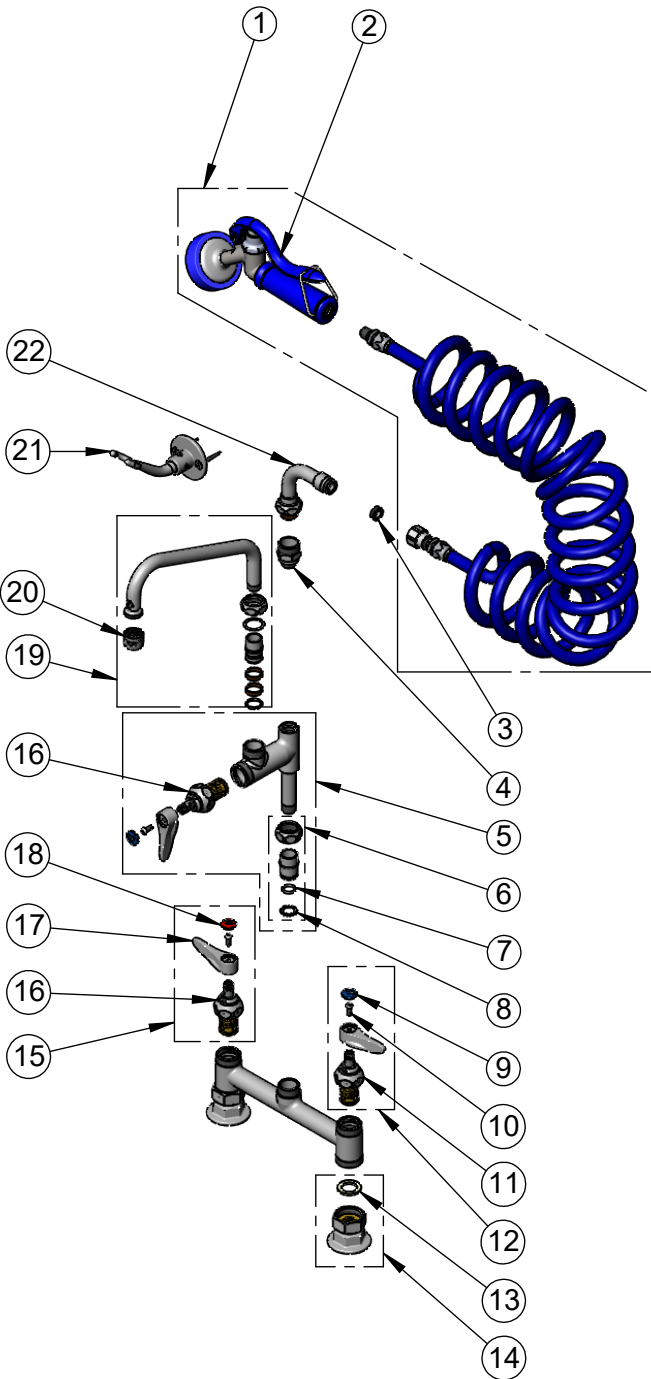


T&S BRASS AND BRONZE WORKS, INC.
 2 Saddleback Cove / P.O. Box 1088
 Travelers Rest, SC 29690

Model No.
PG-8DSAN-08

Item No.

Travelers Rest, SC: 800-476-4103 • Simi Valley, CA: 800-423-0150 • Fax: 864-834-3518 • www.tsbrass.com



ITEM NO.	SALES NO.	DESCRIPTION
1	PG-35AV-CH05	Spray Valve w/ 9' of Coiled Hose
2	PG-35AV	Aluminum 35° Spray Valve
3	010476-45	#27 Washer
4	B-0412	Rigid to Swivel Adapter
5	B-0155-LNEZ	EasyInstall Add-On Faucet, Eterna Cartridge & Lever Handle, Less Nozzle
6	EZ-K	EasyInstall Kit
7	001065-45	O-Ring
8	014200-45	Star Washer, Anti-Rotation
9	018506-19NS	Blue Button Index, Press-in
10	000925-45	Lab Handle Screw
11	012442-40NS	Quarter-Turn Eterna Cartridge w/ Spring Check, LTC
12	002711-40NS	Quarter-Turn Eterna Cartridge w/ Spring Check, Handle, Blue Index & Screw, LTC
13	001019-45	Coupling Nut Washer
14	00AA	1/2" NPT Female Eccentric Flange
15	002712-40NS	Quarter-Turn Eterna Cartridge w/ Spring Check, Handle, Red Index & Screw, RTC
16	012443-40NS	Quarter-Turn Eterna Cartridge w/ Spring Check, RTC
17	001638-45NS	Lever Handle (New Style)
18	001193-19NS	Red Button Index, Press-in
19	060X	8" Swing Nozzle w/ Stream Regulator Outlet
20	B-PT	Full Flow Stream Regulator, 55/64-27
21	B-0166	Wall Hook
22	034A	Spray Valve 90° Angle Tube

Product Specifications:

Pet Grooming Unit:

8" Deck Mount Mixing Faucet, Quarter-Turn Eterna Cartridges w/ Spring Checks, Lever Handles, Add-On Faucet, 8" Swing Nozzle w/ Steam Regulator Outlet, Swivel Arm Less Vacuum Breaker, 9 ft Coiled Polyurethane Hose w/ Angled Aluminum Spray Valve & 1/2" NPT Female Inlets

Product Compliance:

ASME A112.18.1 / CSA B125.1
 NSF 61 Exempt (Non-Potable)