



**Architect/Engineering Specifications:**

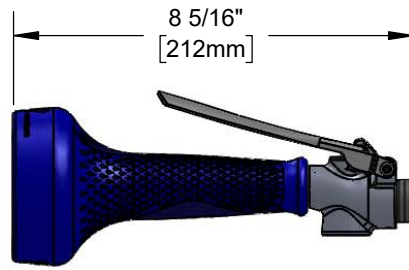
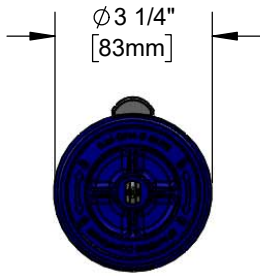
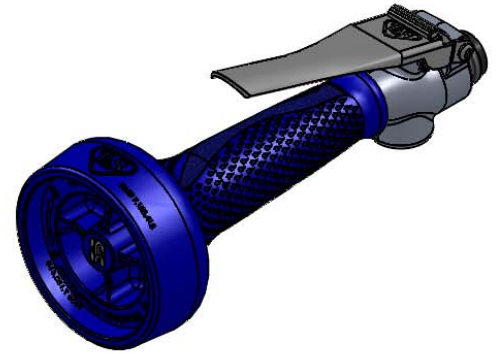
0.65 GPM low flow spray valve, polished chrome plated forged body with stainless steel trigger, and 7/8-20 UN male inlet. Certified to ASME A112.18.1/CSA B125.1, NSF 61-Section 9 and NSF 372. 2019 DOE PRSV - Class I compliant.

Job Name \_\_\_\_\_

Model Specified \_\_\_\_\_ Quantity \_\_\_\_\_

Variations Specified \_\_\_\_\_

Date \_\_\_\_\_



**Features & Benefits:**

- Chrome plated forged brass body
- 0.65 GPM JeTSpray spray valve
- 7/8-20 UN male inlet
- Fast action trigger
- Heat insulated handle with crush resistant grip
- Smart one-handed trigger lock
- Removable screen filter
- Material: Polished chrome plated brass body and rubber insulated handle

**Product Compliance:**

- ASME A112.18.1 / CSA B125.1
- NSF 61 - Section 9
- NSF 372 (Low Lead Content)
- 2019 DOE PRSV - Class I

**Warranty:** One Year (Limited)

**Performance Data:**

- Pressure: 20 - 125 psi
- Temperature: 40 °F - 140 °F
- Flow Rate: 0.65 GPM (2.5 Lpm) @ 60 psi
- Spray Force: 4.6 Ozf (130 Gramf)

