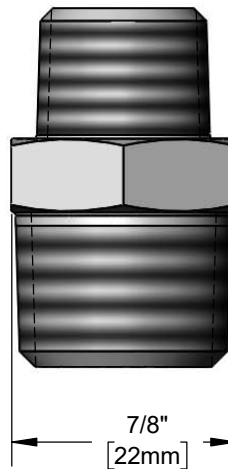
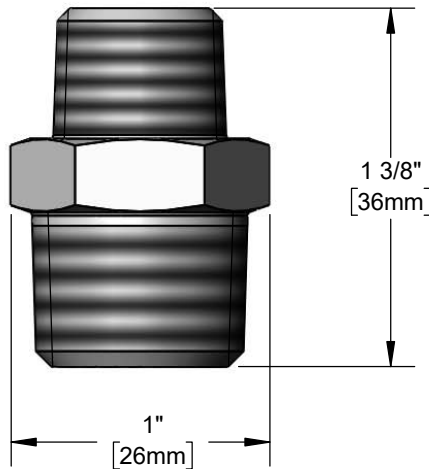
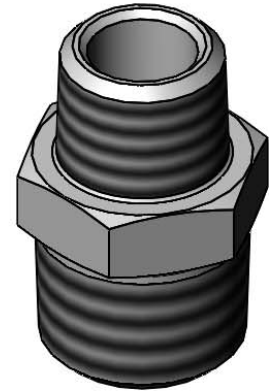




**Architect/Engineering Specifications:**

Chrome plated brass 3/8" NPT male x 1/2" NPT male adapter. Certified to NSF 61-Section 9 and NSF 372.

Job Name _____
Model Specified _____ Quantity _____
Variations Specified _____
Date _____



**Features & Benefits:**

- Chrome plated brass adapter
- 3/8" NPT male x 1/2" NPT male adapter
- Material: Chrome plated brass

**Product Compliance:**

- NSF 61 - Section 9
- NSF 372 (Low Lead Content)



**Warranty:** One Year (Limited)

**Performance Data:**

- N/A

