



T&S BRASS AND BRONZE WORKS, INC.
 2 Saddleback Cove / P.O. Box 1088
 Travelers Rest, SC 29690

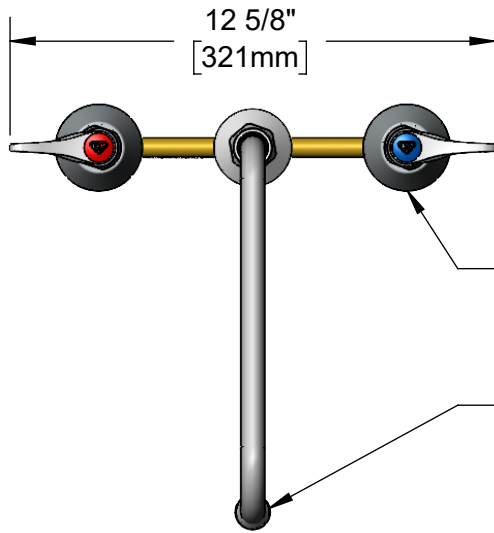
Model No.
B-2347-09

Item No.

Travelers Rest, SC: 800-476-4103 • Simi Valley, CA: 800-423-0150 • Fax: 864-834-3518 • www.tsbrass.com



ADA Compliant



ϕ 2 1/4"
 [57mm]
 Escutcheons

Swing Nozzle w/
 B-0199-01
 2.2 GPM Aerator
 (Optional Swivel/Rigid
 Washer Included)

This Space for Architect/Engineer Approval

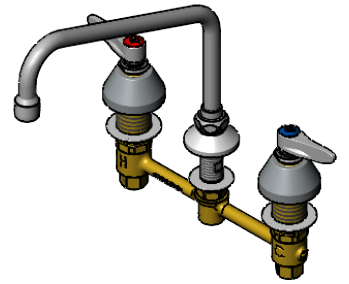
Job Name _____ Date _____

Model Specified _____ Quantity _____

Customer/Wholesaler _____

Contractor _____

Architect/Engineer _____



ϕ 2"
 [51mm]
 Swivel Deck
 Flange

Quarter-Turn
 Eterna Cartridges w/
 Spring Checks &
 Lever Handles w/
 Color Coded Indexes

Mounting
 Surface

2 5/8"
 [66mm]

8 7/8"
 [226mm]

5 15/16"
 [151mm]

9 1/2"
 [241mm]

1 1/4"
 [32mm]
 Maximum
 Thickness

1/2" NPT
 Coupling Nuts

8"
 [203mm]

Rough-In Requirement:

ϕ 1" [25mm] for Center Shank

ϕ 1-1/2" [38mm] for Hot/Cold Side

Product Specifications:

8" EasyInstall Concealed Widespread Mixing Faucet, Lever Handles, Quarter-Turn Eterna Cartridges w/ Spring Checks, Swing Nozzle w/ 2.2 GPM Aerator, & 1/2" NPT Male Inlets w/ Coupling Nuts

Product Compliance:

ASME A112.18.1 / CSA B125.1
 NSF 61 - Section 9
 NSF 372 (Low Lead Content)
 ANSI A117.1 (ADA)



T&S BRASS AND BRONZE WORKS, INC.

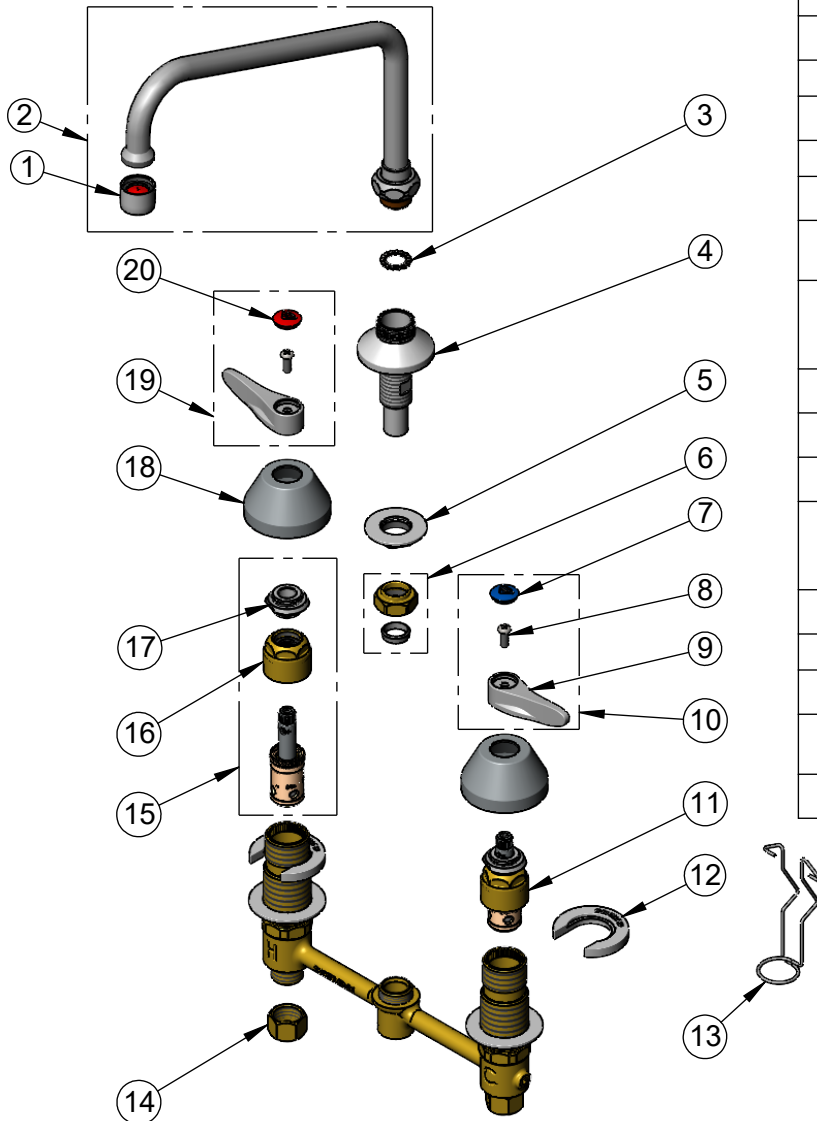
2 Saddleback Cove / P.O. Box 1088
Travelers Rest, SC 29690

Model No.

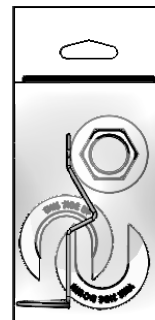
B-2347-09

Item No.

Travelers Rest, SC: 800-476-4103 • Simi Valley, CA: 800-423-0150 • Fax: 864-834-3518 • www.tsbrass.com



ITEM NO.	SALES NO.	DESCRIPTION
1	B-0199-01	2.2 GPM Aerator, 55/64-27 UN Female
2	015499-40	B-2347-09 Swing Nozzle
3	014200-45	Star Washer, Anti-Rotation
4	016754-40NS	EasyInstall CWS Swivel Center Shank
5	016742-45	Center Flange Nut
6	016745-45	Compression Nut & Fitting
7	018506-19NS	Blue Button Index, Press-in
8	000925-45	Lab Handle Screw
9	001638-45NS	Lever Handle (New Style)
10	001636-45NS	Lever Handle, Blue Index & Screw
11	016752-40NS	EasyInstall, CWS Quarter-Turn Eterna Cartridge w/ Spring Check, LTC
12	016749-45	Sidebody C-Washer
13	016777-45	CWS Hanger
14	000958-20	Coupling Nut
15	016753-40NS	EasyInstall, CWS Quarter-Turn Eterna Cartridge w/ Spring Check, RTC
16	016743-20	CWS Bonnet Assembly
17	009002-40NS	Packing Assembly
18	001257-40NS	Bell Escutcheon
19	001637-45NS	Lever Handle, Red Index & Screw
20	001193-19NS	Red Button Index, Press-in



017245-40
Installation Repair Kit
Includes #5, (2)#12, & #13

Product Specifications:

8" EasyInstall Concealed Widespread Mixing Faucet, Lever Handles, Quarter-Turn Eterna Cartridges w/ Spring Checks, Swing Nozzle w/ 2.2 GPM Aerator, & 1/2" NPT Male Inlets w/ Coupling Nuts

Product Compliance:

ASME A112.18.1 / CSA B125.1
NSF 61 - Section 9
NSF 372 (Low Lead Content)
ANSI A117.1 (ADA)