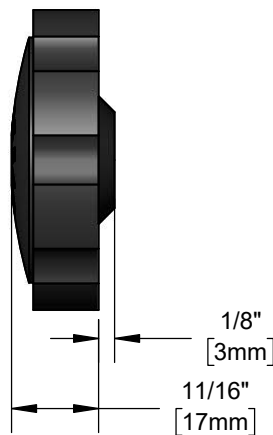
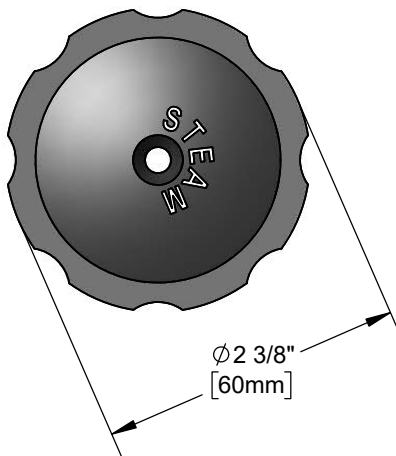
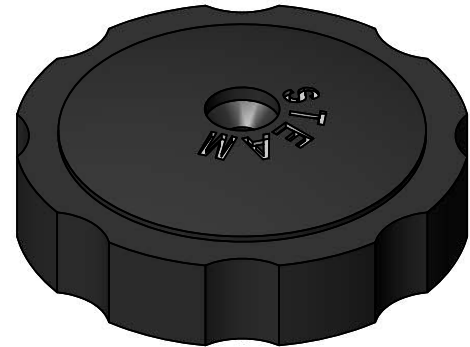




Architect/Engineering Specifications:

Black steam valve handle.

Job Name \_\_\_\_\_  
 Model Specified \_\_\_\_\_ Quantity \_\_\_\_\_  
 Variations Specified \_\_\_\_\_  
 Date \_\_\_\_\_



Features & Benefits:

- Black steam valve handle
- Material: Phenolic

Product Compliance:

- N/A

Warranty: One Year (Limited)

Performance Data:

- N/A

