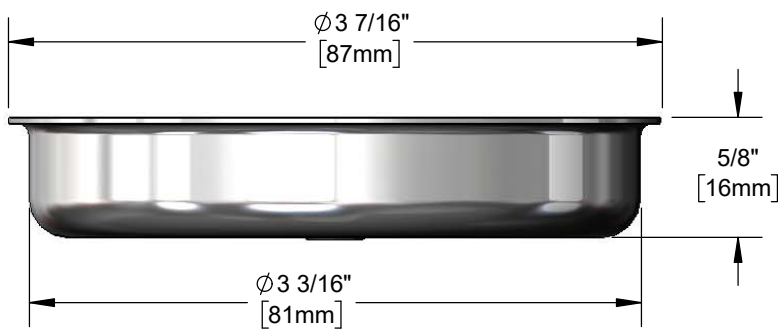




**Architect/Engineering Specifications:**

3 1/2" stainless steel crumb cup strainer.

Job Name \_\_\_\_\_  
 Model Specified \_\_\_\_\_ Quantity \_\_\_\_\_  
 Variations Specified \_\_\_\_\_  
 Date \_\_\_\_\_



**Features & Benefits:**

- 3 1/2" crumb cup strainer
- Material: Stainless Steel

**Product Compliance:**

- N/A

**Warranty:** One Year (Limited)

**Performance Data:**

- N/A

