



# T&S BRASS AND BRONZE WORKS, INC.

2 Saddleback Cove / P.O. Box 1088  
Travelers Rest, SC 29690



REG. #A2601  
ISO #9001

Model No.

**006112-25**

Item No.

Travelers Rest, SC: 800-476-4103 • Simi Valley, CA: 800-423-0150 • Fax: 864-834-3518 • www.tsbrass.com

This Space for Architect/Engineer Approval

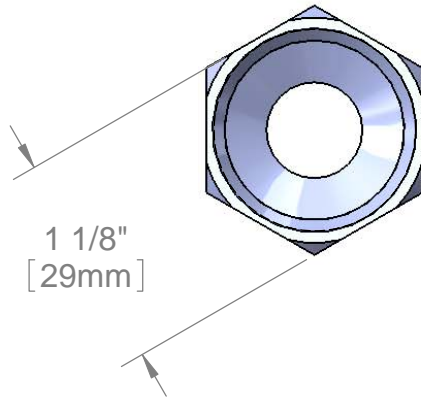
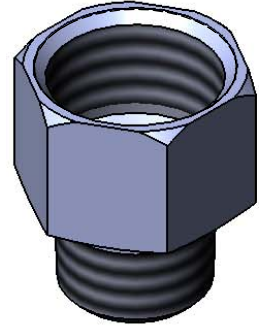
Job Name \_\_\_\_\_ Date \_\_\_\_\_

Model Specified \_\_\_\_\_ Quantity \_\_\_\_\_

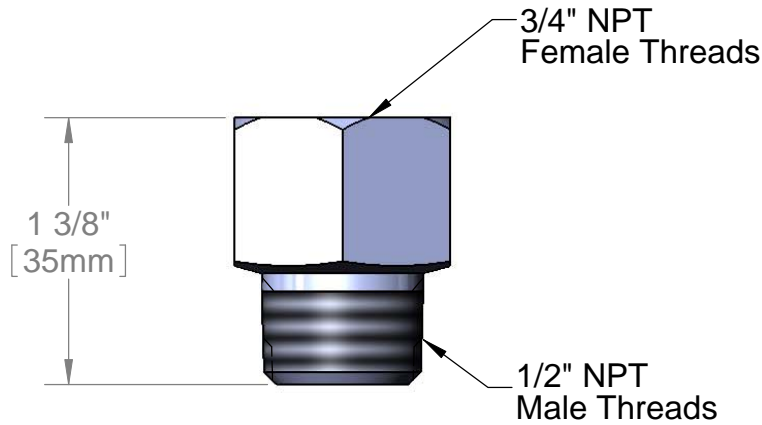
Customer/Wholesaler \_\_\_\_\_

Contractor \_\_\_\_\_

Architect/Engineer \_\_\_\_\_



1 1/8"  
[29mm]



3/4" NPT  
Female Threads

1 3/8"  
[35mm]

1/2" NPT  
Male Threads

Product Specifications:  
Adapter, 3/4" NPT Female x 1/2" NPT Male  
(Chrome Plated)

Drawn  
**KJG**

Checked  
**GEF**

Approved  
**JHB**

Scale:  
**1:1**

Date:  
**10/27/10**