



# T&S BRASS AND BRONZE WORKS, INC.

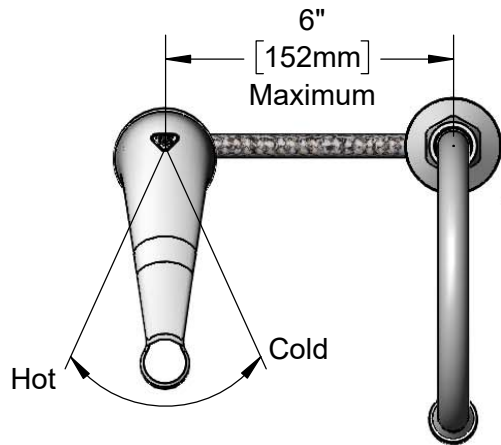
2 Saddleback Cove / P.O. Box 1088  
Travelers Rest, SC 29690

Model No.

**B-2742-LH**

Item No.

Travelers Rest, SC: 800-476-4103 • Simi Valley, CA: 800-423-0150 • Fax: 864-834-3518 • www.tsbrass.com



  
**ADA Compliant**

This Space for Architect/Engineer Approval  
Job Name \_\_\_\_\_ Date \_\_\_\_\_  
Model Specified \_\_\_\_\_ Quantity \_\_\_\_\_  
Customer/Wholesaler \_\_\_\_\_  
Contractor \_\_\_\_\_  
Architect/Engineer \_\_\_\_\_

5 3/4" Swivel Gooseneck w/  
B-0199-06  
VR 2.2 GPM Aerator.  
Rigid Conversion Requires  
014200-45 Lock Washer  
(Included)

Ceramic Cartridge w/  
Temperature Limit Stop

Temperature  
Index

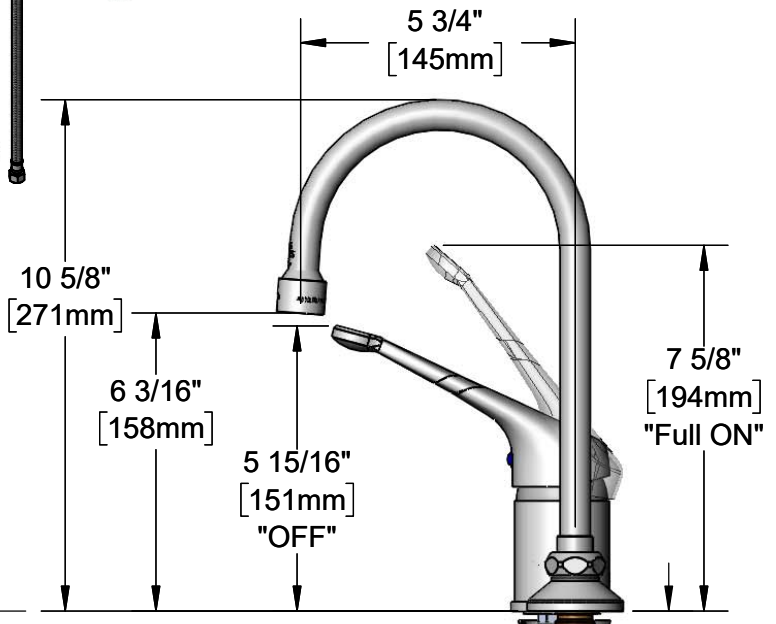
Ø 2 1/8"  
[54mm] Base

Brass Lock  
Nut &  
Threaded  
Locking Rod

Ø 2" [51mm] Base  
w/ 1/2" NPSM Male Inlet

13" Flexible Stainless Steel  
Outlet Hose w/ 1/2" NPSM  
Female Coupling

(2) 16" Flexible Stainless Steel  
Hoses w/ 3/8" Compression  
Swivel Ends



**Rough-in Requirement:**  
Swivel Deck Flange: Ø 1" [25mm] Hole  
Sidemount: Ø 1 1/2" [38mm] Hole

**Product Specifications:**  
Single Lever Side Mount Remote On/Off Control Base Faucet, Long Handle, Ceramic Cartridge, Temperature Limit Stop, Swivel Gooseneck, Vandal Resistant 2.2 GPM Aerator & (2) 16" Flexible Stainless Steel Supply Hoses

**Product Compliance:**  
ASME A112.18.1 / CSA B125.1  
NSF 61 - Section 9  
NSF 372 (Low Lead Content)  
ANSI A117.1 (ADA)

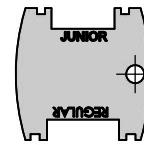
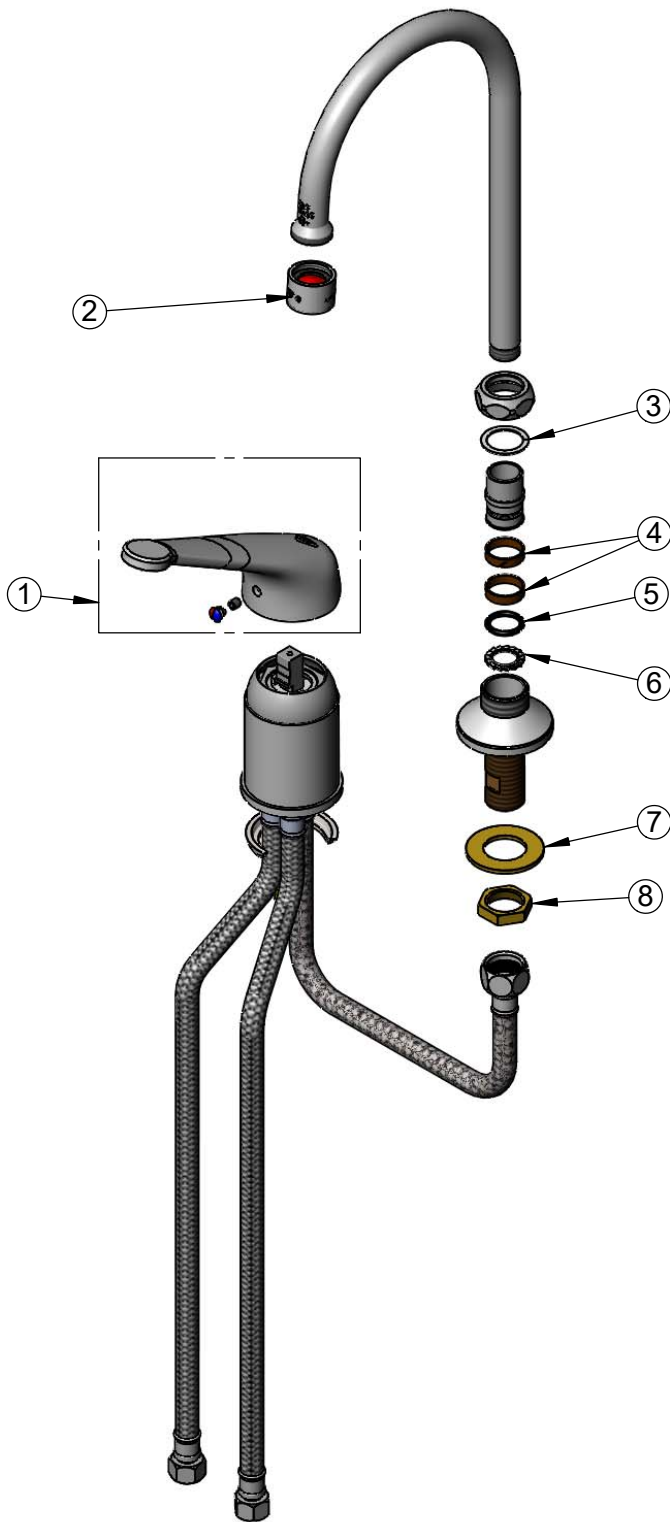


**T&S BRASS AND BRONZE WORKS, INC.**  
 2 Saddleback Cove / P.O. Box 1088  
 Travelers Rest, SC 29690

Model No.  
**B-2742-LH**  
 Item No.

Travelers Rest, SC: 800-476-4103 • Simi Valley, CA: 800-423-0150 • Fax: 864-834-3518 • www.tsbrass.com

ITEM NO.	SALES NO.	DESCRIPTION
1	013429-45	Single Lever Long Handle
2	B-0199-06	VR 2.2 GPM Aerator, 55/64-27 UN Female w/ Key
3	009538-45	Swivel Washer
4	011429-45	Swivel Sleeves (2)
5	001074-45	O-Ring
6	014200-45	Star Washer, Anti-Rotation
7	000999-45	Brass Lock Washer
8	002954-45	Shank Lock Nut



015425-45  
 Vandal Resistant Key

**Product Specifications:**  
 Single Lever Side Mount Remote On/Off Control Base Faucet, Long Handle, Ceramic Cartridge, Temperature Limit Stop, Swivel Gooseneck, Vandal Resistant 2.2 GPM Aerator & (2) 16" Flexible Stainless Steel Supply Hoses

**Product Compliance:**  
 ASME A112.18.1 / CSA B125.1  
 NSF 61 - Section 9  
 NSF 372 (Low Lead Content)  
 ANSI A117.1 (ADA)