



T&S BRASS AND BRONZE WORKS, INC.

2 Saddleback Cove / P.O. Box 1088
Travelers Rest, SC 29690

Model No.

B-0892-WS

Item No.

Travelers Rest, SC: 800-476-4103 • Simi Valley, CA: 800-423-0150 • Fax: 864-834-3518 • www.tsbrass.com



ADA Compliant



This Space for Architect/Engineer Approval

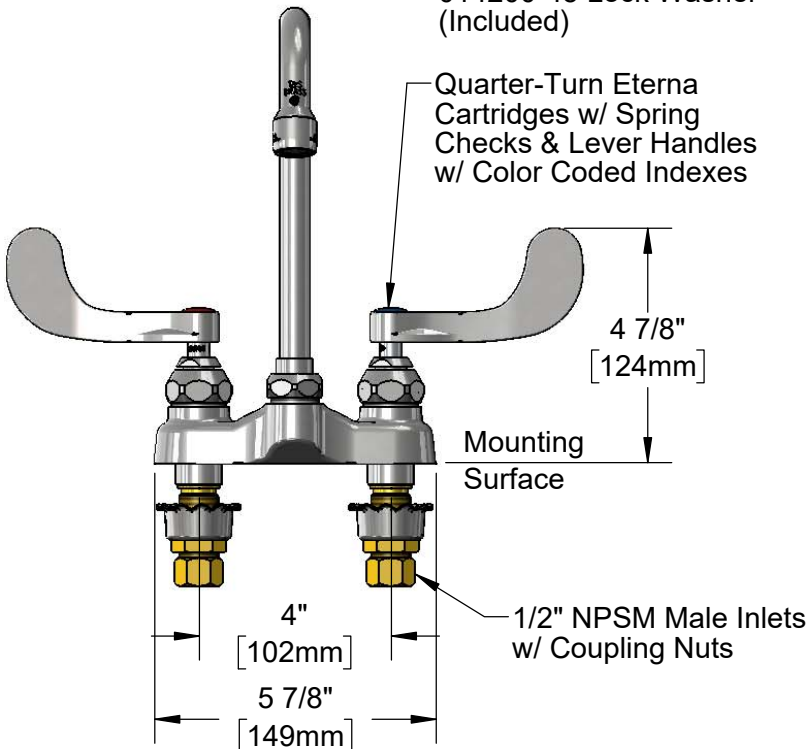
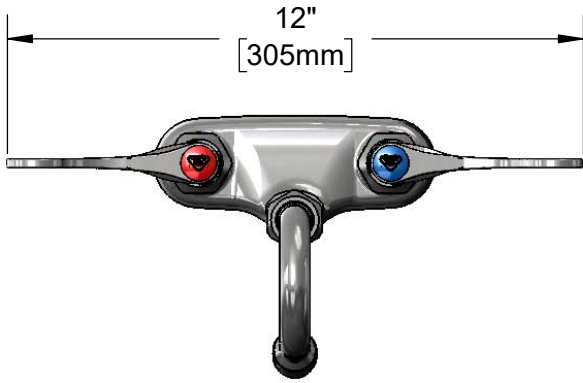
Job Name _____ Date _____

Model Specified _____ Quantity _____

Customer/Wholesaler _____

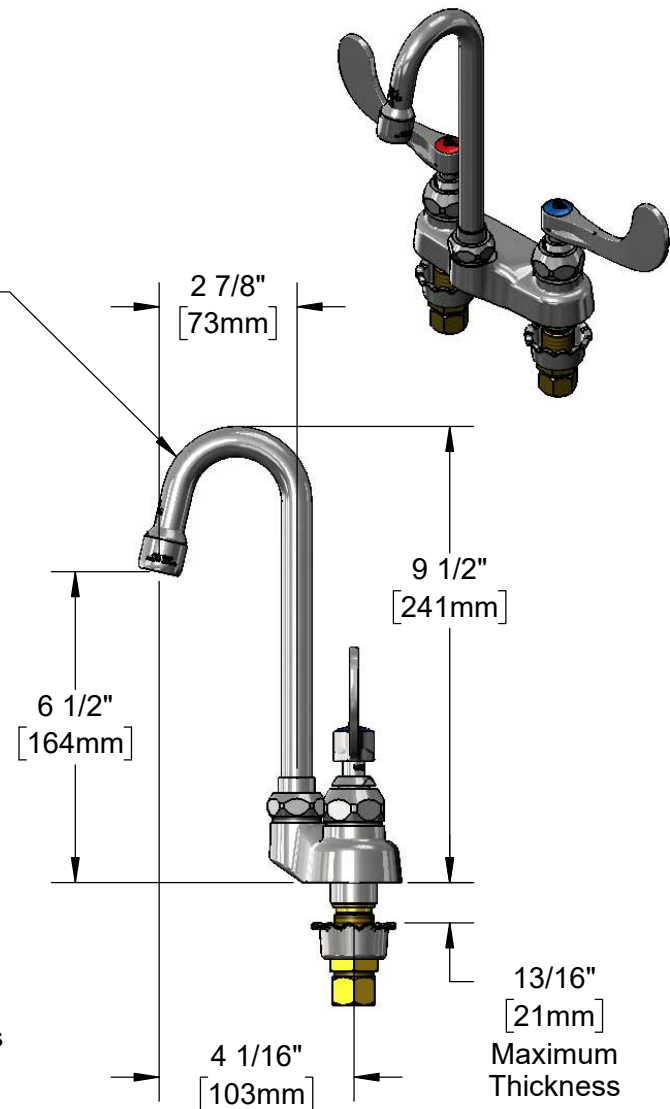
Contractor _____

Architect/Engineer _____



2 7/8" Swivel Goosneck w/
B-0199-01-WS
1.5 GPM Aerator.
Converts to Rigid w/
014200-45 Lock Washer
(Included)

Quarter-Turn Eterna
Cartridges w/ Spring
Checks & Lever Handles
w/ Color Coded Indexes



Rough-In Requirement:
(2) ϕ 1 1/8" [29mm] Mounting Holes

Product Specifications:

4" Centerset Deck Mount Mixing Faucet, Quarter-Turn Eterna Cartridges w/ Spring Checks, 4" Wrist Action Handles, 2 7/8" Swivel Goosneck, 1.5 GPM Aerator & 1/2" NPSM Male Inlets w/ Coupling Nuts

Product Compliance:

ASME A112.18.1 / CSA B125.1
NSF 61 - Section 9
NSF 372 (Low Lead Content)
ANSI A117.1 (ADA)
EPA WaterSense



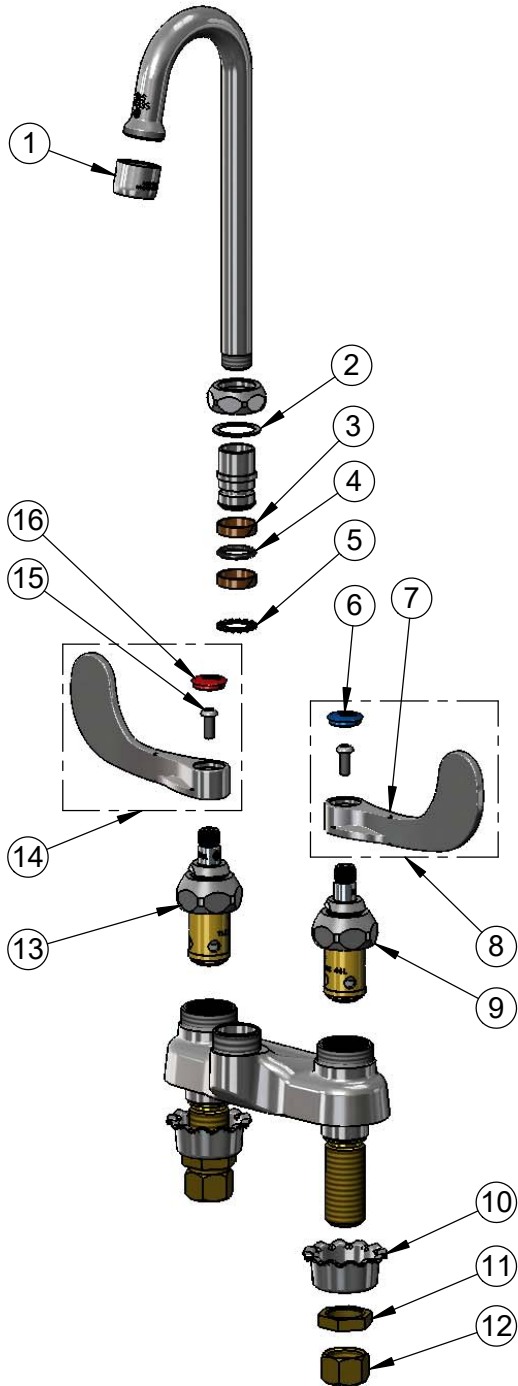
T&S BRASS AND BRONZE WORKS, INC.
 2 Saddleback Cove / P.O. Box 1088
 Travelers Rest, SC 29690

Model No.

B-0892-WS

Item No.

Travelers Rest, SC: 800-476-4103 • Simi Valley, CA: 800-423-0150 • Fax: 864-834-3518 • www.tsbrass.com



ITEM NO.	SALES NO.	DESCRIPTION
1	B-0199-01-WS	1.5 GPM Aerator, 55/64-27 Female
2	009538-45	Swivel Washer
3	011429-45	Swivel Sleeves (2)
4	001074-45	O-Ring
5	014200-45	Star Washer, Anti-Rotation
6	018506-19NS	Blue Button Index, Press-in
7	B-WH4-NS	Wrist Action Handle (New Style)
8	B-WH4C-NS	Wrist Action Handle, Blue Index & Screw
9	012442-40NS	Quarter-Turn Eterna Cartridge w/ Spring Check, LTC
10	001000-45	Rosette Washer
11	002954-45	Shank Lock Nut
12	000958-20	Coupling Nut
13	012443-40NS	Quarter-Turn Eterna Cartridge w/ Spring Check, RTC
14	B-WH4H-NS	Wrist Action Handle, Red Index & Screw
15	000925-45	Lab Handle Screw
16	001193-19NS	Red Button Index, Press-in

Product Specifications:

4" Centerset Deck Mount Mixing Faucet, Quarter-Turn Eterna Cartridges w/ Spring Checks, 4" Wrist Action Handles, 2 7/8" Swivel Gooseneck, 1.5 GPM Aerator & 1/2" NPSM Male Inlets w/ Coupling Nuts

Product Compliance:

ASME A112.18.1 / CSA B125.1
 NSF 61 - Section 9
 NSF 372 (Low Lead Content)
 ANSI A117.1 (ADA)
 EPA WaterSense