



T&S BRASS AND BRONZE WORKS, INC.

2 SADDLEBACK COVE / P.O. BOX 1088 / TRAVELERS REST, SC 29690

PHONE 800-476-4103

FAX 864- 834-3518



REG.#A2601
ISO #9002

Sales No.

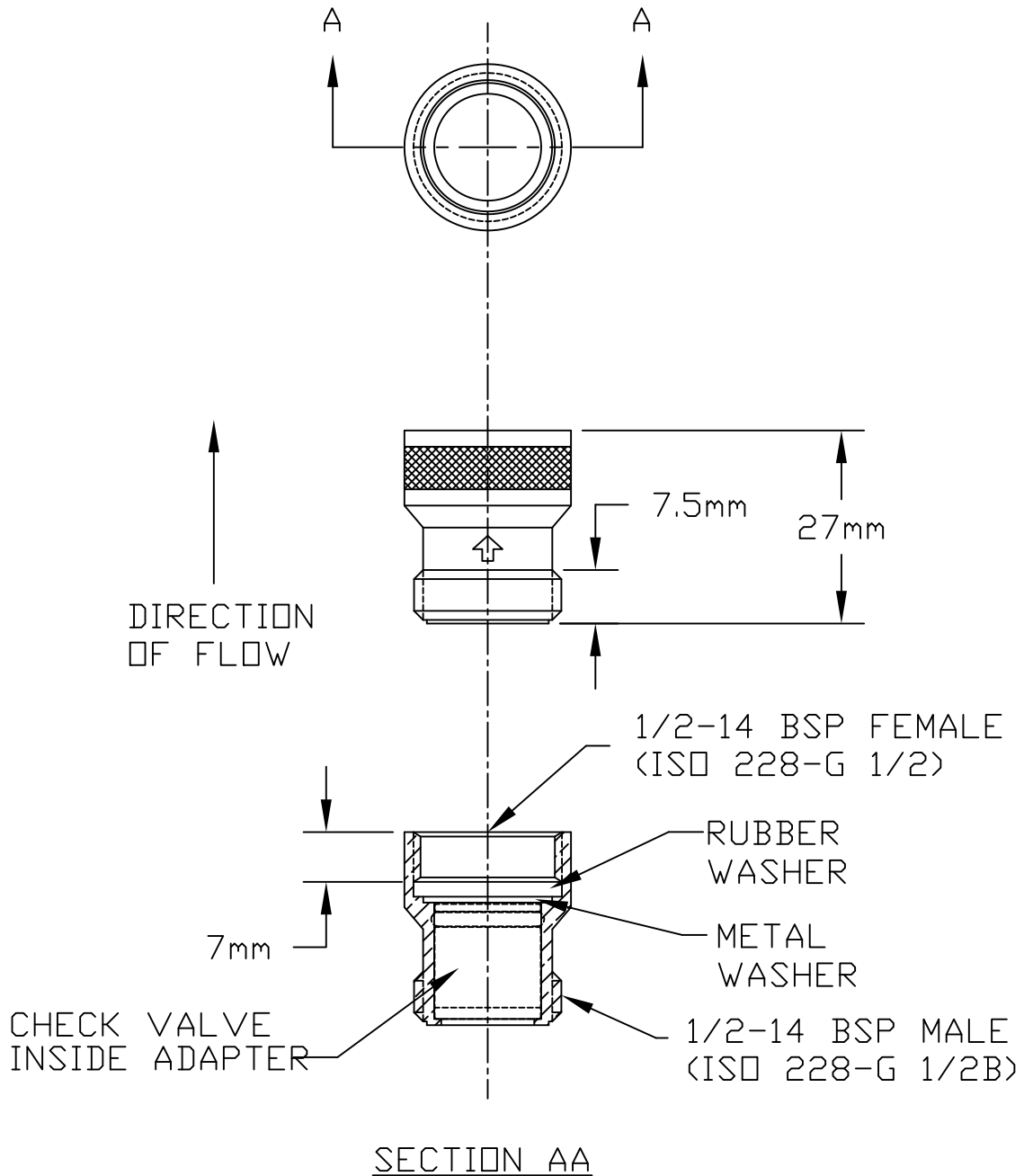
010321-45

Item No.:

Job Name:

Architect/Engineer Approval:

Notes:



Product Description:

1/2" MALE X 1/2" FEMALE ADAPTER,
15mm CHECK VALVE HOUSING

Drawn:

GEF

Checked

DHL

Scale:

1:1

Approved

JHB

Date:

1/12/12