



# T&S BRASS AND BRONZE WORKS, INC.

2 Saddleback Cove / P.O. Box 1088  
Travelers Rest, SC 29690

Model No.

**BF-0299-14**

Item No.

Travelers Rest, SC: 800-476-4103 • Simi Valley, CA: 800-423-0150 • Fax: 864-834-3518 • www.tsbrass.com



**ADA Compliant**

This Space for Architect/Engineer Approval

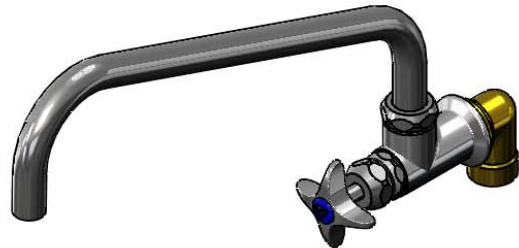
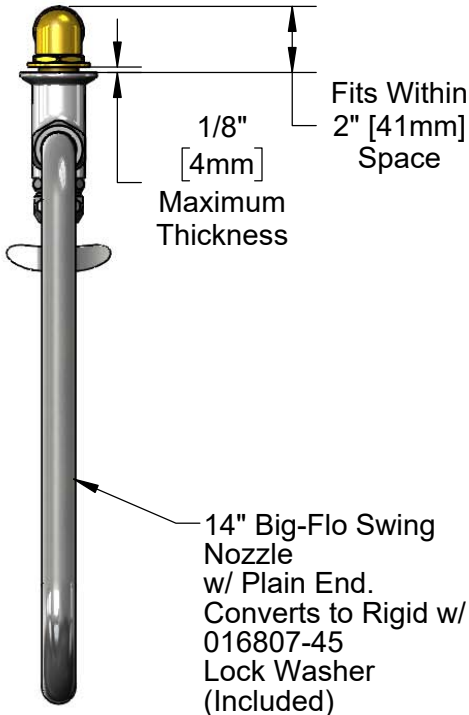
Job Name \_\_\_\_\_ Date \_\_\_\_\_

Model Specified \_\_\_\_\_ Quantity \_\_\_\_\_

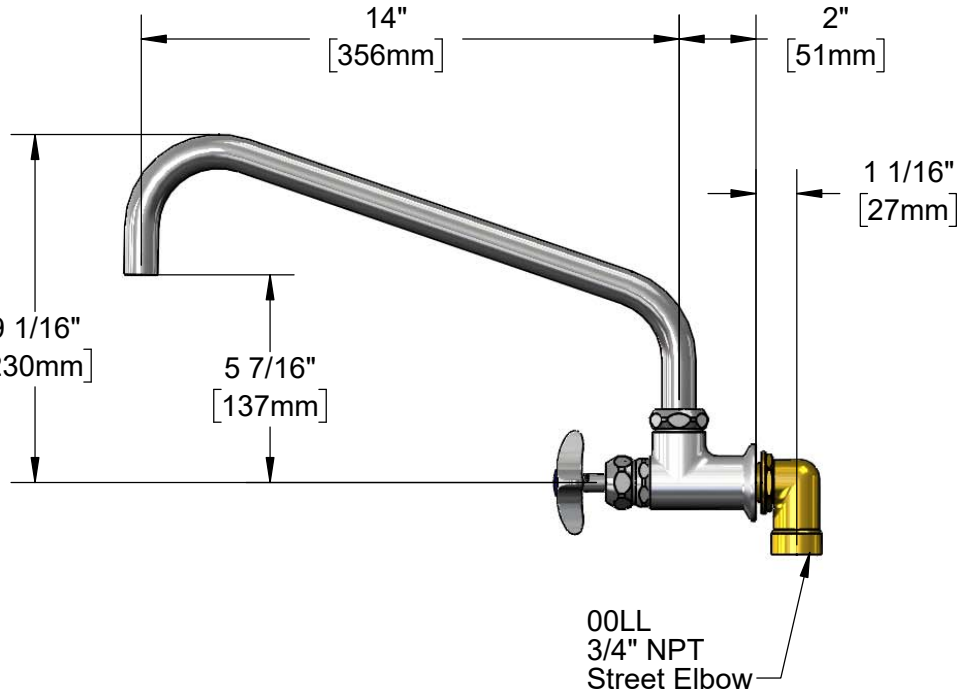
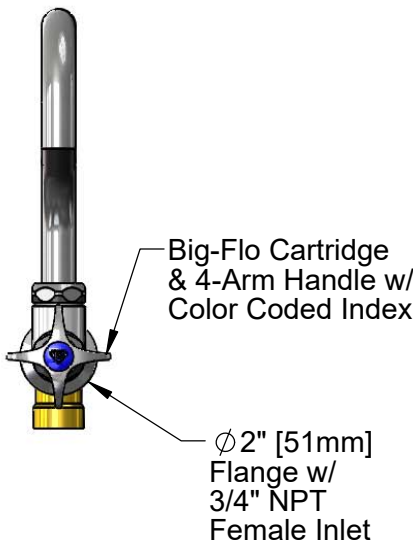
Customer/Wholesaler \_\_\_\_\_

Contractor \_\_\_\_\_

Architect/Engineer \_\_\_\_\_



14" Big-Flo Swing Nozzle w/ Plain End. Converts to Rigid w/ 016807-45 Lock Washer (Included)



Rough-In Requirement:  
Ø 1 1/4" [32mm] Hole

Product Specifications:  
Single Wall Mount Big-Flo Faucet w/ Big-Flo Cartridge, 14" Plain End Swing Nozzle, 4-Arm Handle & 3/4" NPT Street Elbow

Product Compliance:  
ASME A112.18.1 / CSA B125.1  
NSF 61 - Section 9  
NSF 372 (Low Lead Content)  
ANSI A117.1 (ADA)



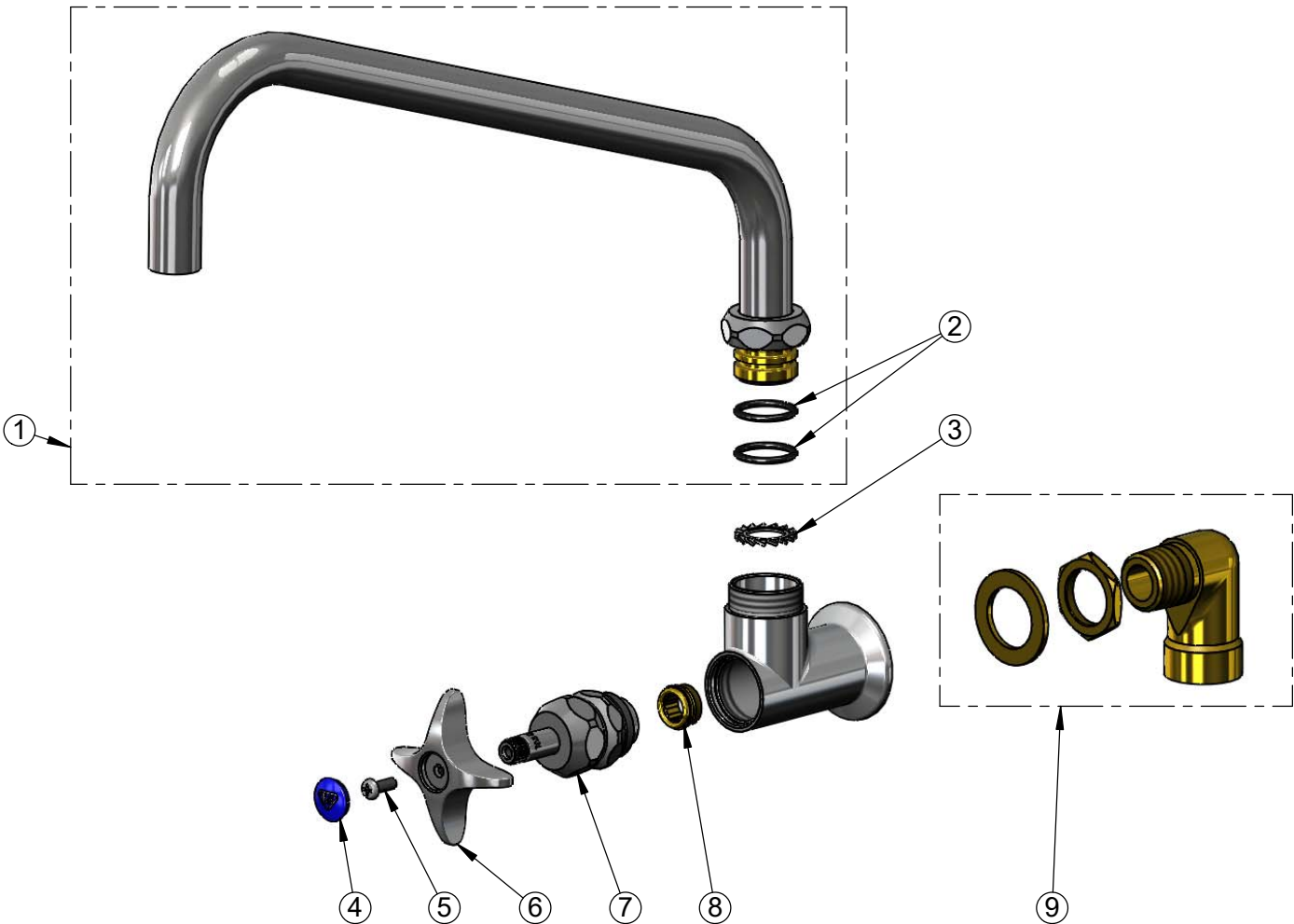
**T&S BRASS AND BRONZE WORKS, INC.**  
 2 Saddleback Cove / P.O. Box 1088  
 Travelers Rest, SC 29690

Model No.  
**BF-0299-14**

Item No.

Travelers Rest, SC: 800-476-4103 • Simi Valley, CA: 800-423-0150 • Fax: 864-834-3518 • www.tsbrass.com

ITEM NO.	SALES NO.	DESCRIPTION
1	014462-40	14" Big-Flo Swing Nozzle
2	001068-45	O-ring
3	016807-45	Serrated Lock Washer
4	018506-19NS	Blue Button Index, Press-in
5	000925-45	Lab Handle Screw
6	002521-45NS	4-Arm Handle (New Style)
7	006482-40NS	Big-Flo Cartridge, RTC
8	000764-20	Seat, Big-Flo
9	00LL	3/4" NPT Street Elbow Inlet



Product Specifications:  
 Single Wall Mount Big-Flo Faucet w/ Big-Flo Cartridge, 14" Plain End  
 Swing Nozzle, 4-Arm Handle & 3/4" NPT Street Elbow

Product Compliance:  
 ASME A112.18.1 / CSA B125.1  
 NSF 61 - Section 9  
 NSF 372 (Low Lead Content)  
 ANSI A117.1 (ADA)