



Architect/Engineering Specifications:

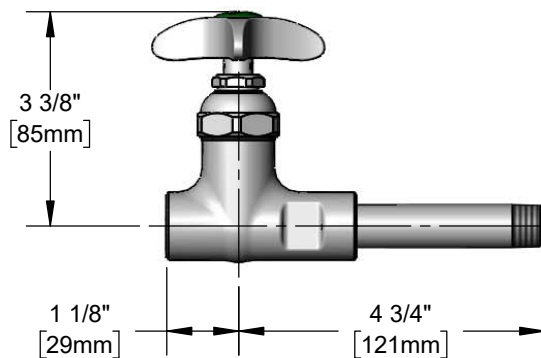
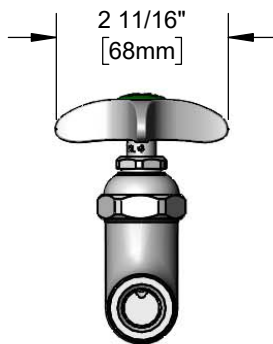
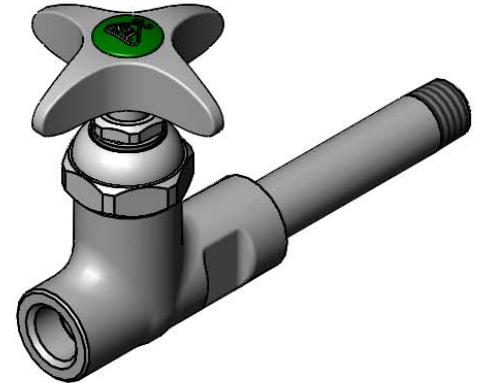
Laboratory straight stop with polished chrome plated brass body (water only), 3/8" NPT female outlet, compression cartridge, 4-arm handle and 3/8" NPT riser inlet. Certified to ASME A112.18.1/CSA B125.1. Meets ADA ANSI/ICC A117.1 requirements

Job Name _____

Model Specified _____ Quantity _____

Variations Specified _____

Date _____



Features & Benefits:

- Laboratory straight stop with polished chrome plated brass body (water only)
- 3/8" NPT female outlet
- Eterna compression cartridge
- 4-arm handle w/ green (CW) color coded index
- 3/8" NPT riser inlet
- Material: polished chrome plated brass body & handle

Product Compliance:

- ASME A112.18.1 / CSA B125.1
- NSF 61 Exempt (Non-Potable)
- ANSI A117.1 (ADA)



Warranty: One Year (Limited)



Performance Data:

- Pressure: 20 - 125 psi [1.38 - 8.62 bar]
- Temperature: 40 °F - 140 °F [4.44 °C - 60 °C]
- Flow Rate: tbd GPM [tbd L/min] @ 60 psi [4.14 bar]

Optional Handles

- 4" Wrist Action
- Lever
- 4-Arm(Standard)

Optional Cartridges

- Quarter-Turn Cerama
- Eterna (Standard)
- Quarter-Turn Eterna

