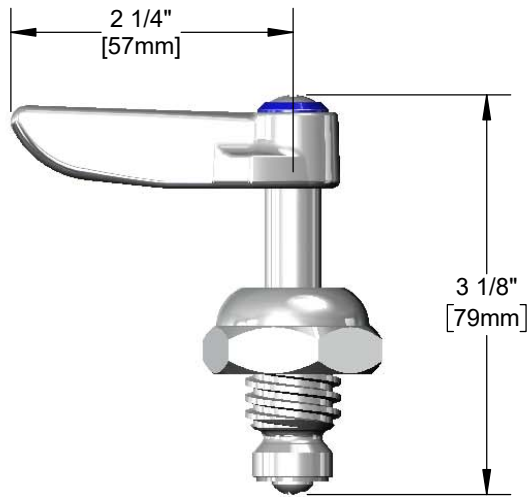




**Architect/Engineering Specifications:**

Cold spindle with lever handle, blue index and screw. Certified to NSF 61-Section 9 and NSF 372.

Job Name _____
Model Specified _____ Quantity _____
Variations Specified _____
Date _____



**Features & Benefits:**

- Cold spindle, LH
- Lever handle
- Blue index and screw
- Material: Chrome plated brass

**Product Compliance:**

- NSF 61 - Section 9
- NSF 372 (Low Lead Content)



**Warranty:** One Year (Limited)



**Performance Data:**

- N/A

