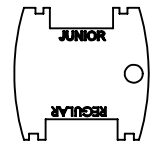
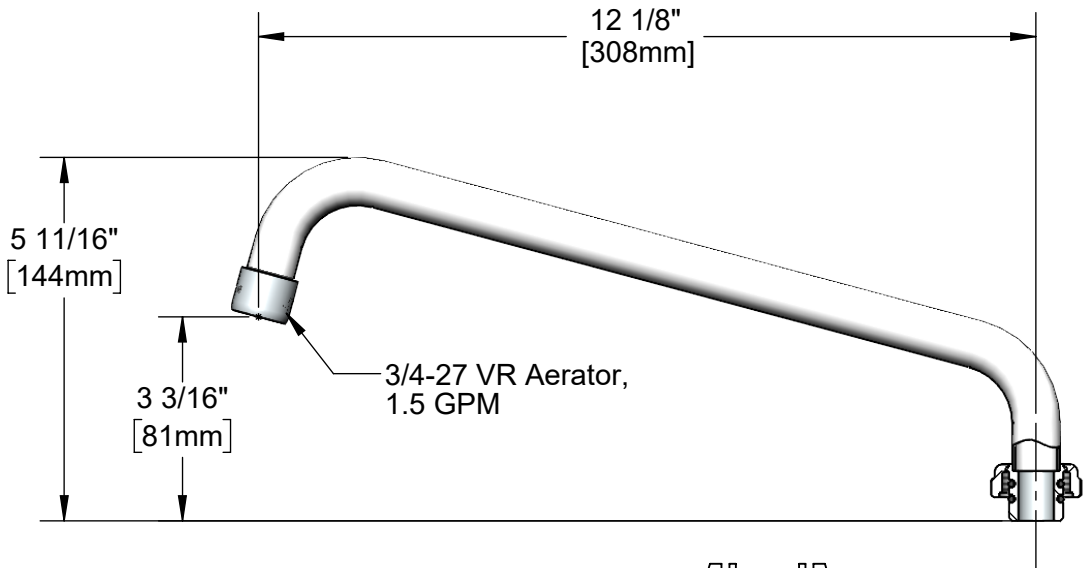
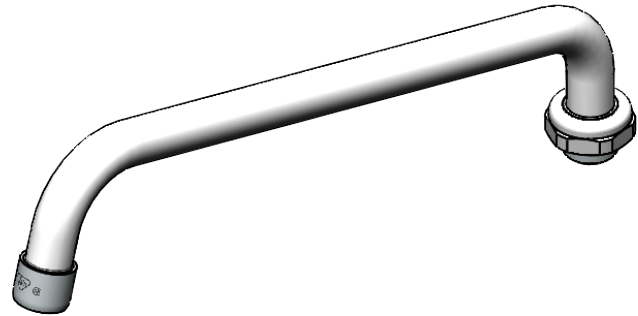
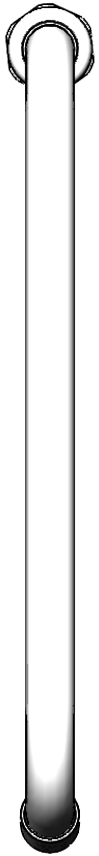


This Space for Architect/Engineer Approval

Job Name _____ Date _____
 Model Specified _____ Quantity _____
 Customer/Wholesaler _____
 Contractor _____
 Architect/Engineer _____



015425-45
 Vandal Resistant Key
 (Included)

Note:
 Conversion to Rigid Requires 014200-45 Lock Washer
 (Available Separately)

Model Number
5SP-12V15

Product Specifications:
 12" Swing Nozzle w/ 1.5 GPM VR Aerator

Product Compliance:
 ASME A112.18.1 / CSA B125.1
 NSF 61 - Section 9
 NSF 372 (Low Lead Content)

equip Foodservice Accessories



2 Saddleback Cove, P.O. Box 1088
 Travelers Rest, South Carolina 29690
 Phone: 800.891.4808 Fax: 800.868.0084
 equip.tsbrass.com