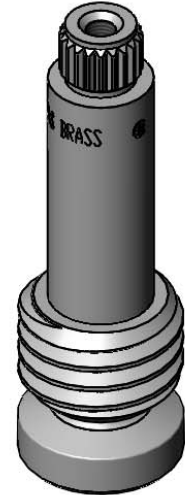
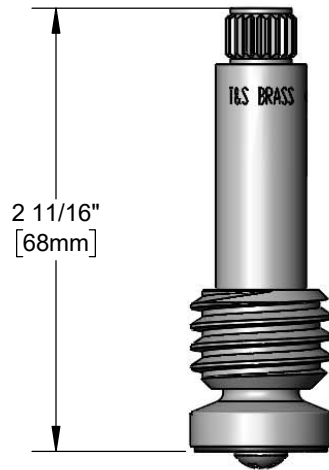




**Architect/Engineering Specifications:**

Big-Flo cartridge spindle, RTC with #10-32 UN female thread, screw and washer included. Certified to NSF 61 - Section 9 and NSF 372.

Job Name \_\_\_\_\_  
 Model Specified \_\_\_\_\_ Quantity \_\_\_\_\_  
 Variations Specified \_\_\_\_\_  
 Date \_\_\_\_\_



**Features & Benefits:**

- Big-Flo cartridge spindle, RTC
- #10-32 UN female thread
- Screw and washer included
- Material: Rough chrome plated brass

**Product Compliance:**

- NSF 61 - Section 9
- NSF 372 (Low Lead Content)



**Warranty:** One Year (Limited)

**Performance Data:**

- N/A

