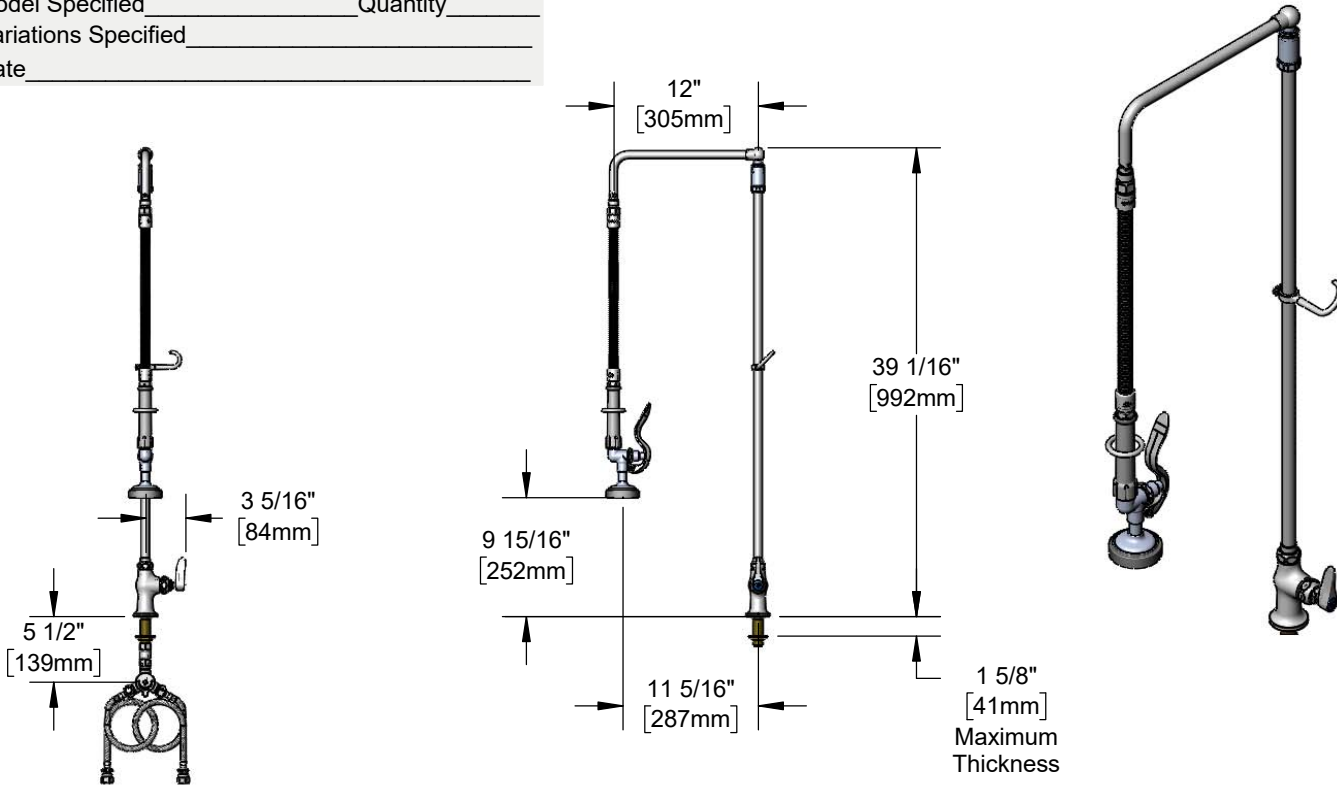




Architect/Engineering Specifications:

Single hole single temperature deck mount faucet with polished chrome plated brass body, 32" riser, overhead swivel arm, 20" flexible stainless steel hose with heat resistant handle, 1.15 GPM spray valve, temperature control mixing valve with integral check valves, compression cartridge with spring check, lever handle, spray valve holder and 18" flexible stainless steel supply hoses w/ 1/2" NPSM / 5/8" O.D. compression connections. Certified to ASME A112.18.1/CSA B125.1, NSF 61-Section 9 and NSF 372. 2019 DOE PRSV - Class II compliant.

Job Name _____
 Model Specified _____ Quantity _____
 Variations Specified _____
 Date _____



Features & Benefits:

- Single hole single temperature deck mount mixing faucet w/ polished chrome plated brass body
- EasyInstall 32" riser
- 12" overhead swivel arm
- 20" flexible stainless steel hose w/ heat resistant gray handle and hold down ring
- 1.15 GPM spray valve
- Temperature control mixing valve w/ check valves
- Quarter-turn Eterna compression cartridge w/ spring check
- Lever handle w/ color coded index
- 18" flexible stainless steel supply hoses w/ 1/2" NPSM / 5/8" O.D. compression connections
- Material: Polished chrome plated brass body, riser, swivel arm & spray valve body, stainless steel hose, and chrome plated metal handle

Optional Handles Optional Cartridges

- 4" Wrist Action Quarter-Turn Cerama w/ Check Valve
- Lever (Standard) Quarter-Turn Eterna w/ Spring Check (Standard)
- 4-Arm

Product Compliance:

- ASME A112.18.1 / CSA B125.1
- NSF 61 - Section 9
- NSF 372 (Low Lead Content)
- 2019 DOE PRSV - Class II



Warranty: Three Year (Limited)

Performance Data:

- Pressure: 20 - 125 psi [1.38 - 8.62 bar]
- Temperature: 40 °F - 140 °F [4.44 °C - 60 °C]
- Flow Rate: 1.15 GPM [4.35 L/min] @ 60 psi [4.14 bar]

Optional Pre-Rinse Spray Valves

- B-0107 (1.15 GPM) (Standard)
- B-0107-C (0.65 GPM)
- B-0107-J (1.07 GPM)
- B-0108 (1.07 GPM)
- B-0108-C (0.65 GPM)

