



T&S BRASS AND BRONZE WORKS, INC.

2 Saddleback Cove / P.O. Box 1088
Travelers Rest, SC 29690

Model No.

B-0871-CR-VR05

Item No.

Travelers Rest, SC: 800-476-4103 • Simi Valley, CA: 800-423-0150 • Fax: 864-834-3518 • www.tsbrass.com



ADA Compliant

This Space for Architect/Engineer Approval

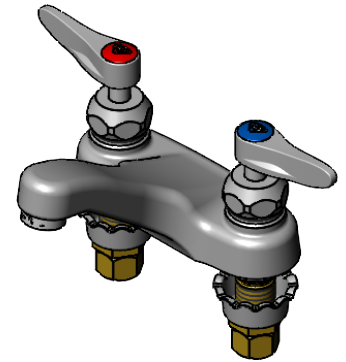
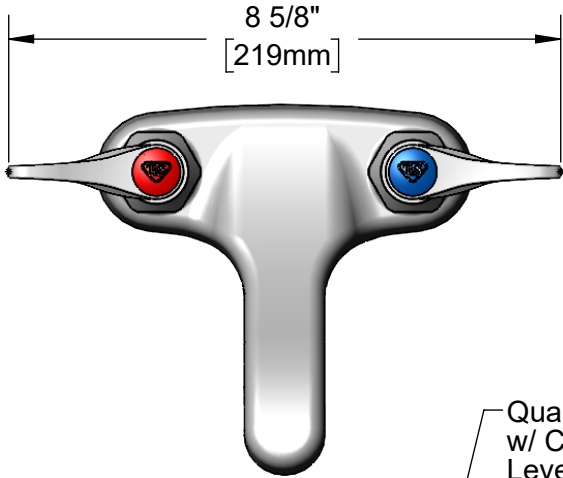
Job Name _____ Date _____

Model Specified _____ Quantity _____

Customer/Wholesaler _____

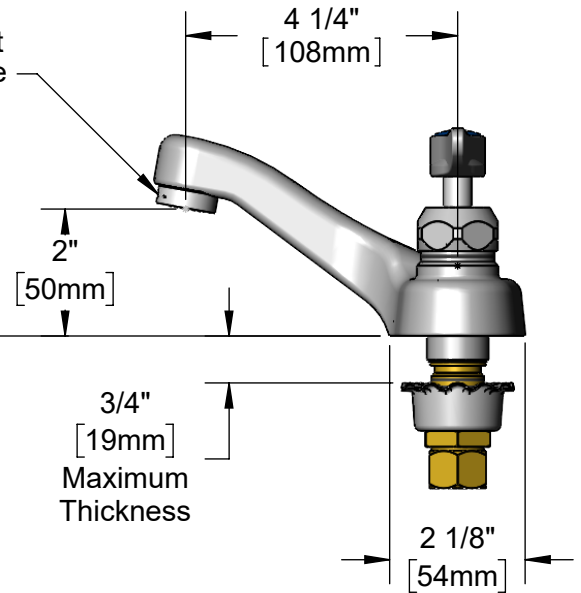
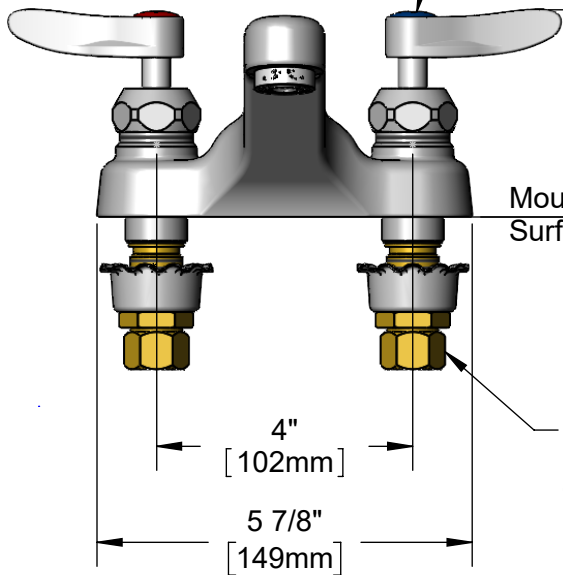
Contractor _____

Architect/Engineer _____



Quarter-Turn Cerama Cartridges
w/ Check Valves and
Lever Handles w/ VR Screws &
Color Coded Indexes

B-0199-08-N05
0.5 GPM Vandal Resistant
Non-Aerated Spray Device



Mounting
Surface

1/2" NPSM
Male Inlets w/
Coupling Nuts

Rough-In Requirement:
(2) ϕ 1 1/8" [29mm] Mounting Holes

Product Specifications:

4" Centerset Deck Mount Faucet, Quarter-Turn Cerama Cartridges w/ Check Valves, Lever Handles w/ VR Screws, 0.5 GPM VR Non-Aerated Spray Device & 1/2" NPSM Male Inlets w/ Coupling Nuts

Product Compliance:

ASME A112.18.1 / CSA B125.1
NSF 61 - Section 9
NSF 372 (Low Lead Content)
ANSI A117.1 (ADA)



T&S BRASS AND BRONZE WORKS, INC.

2 Saddleback Cove / P.O. Box 1088
Travelers Rest, SC 29690

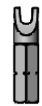
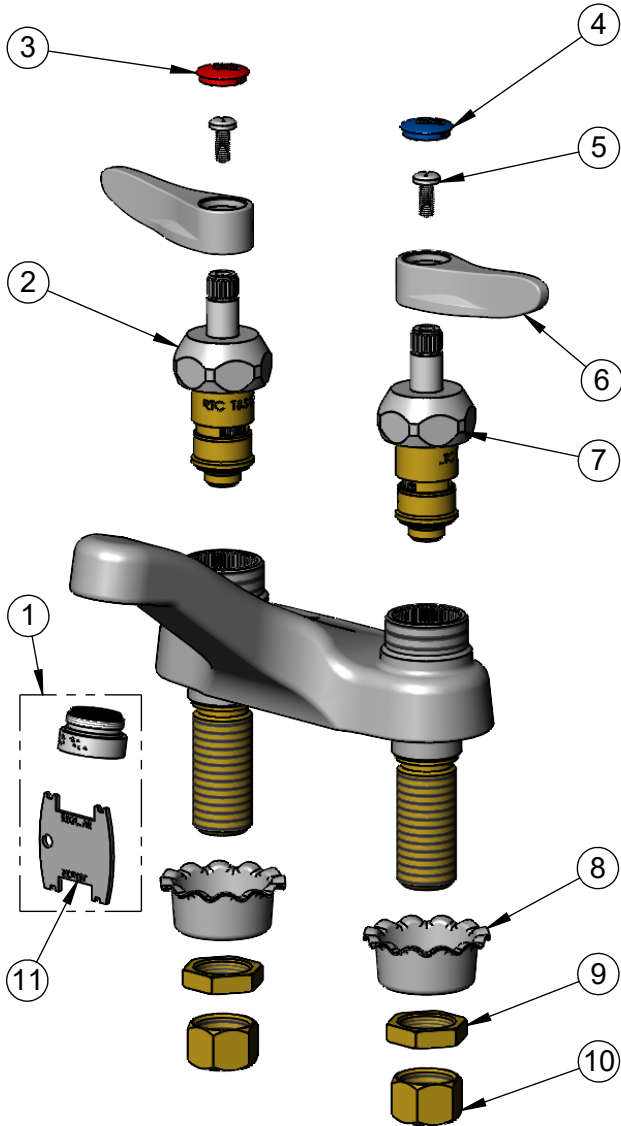
Model No.

B-0871-CR-VR05

Item No.

Travelers Rest, SC: 800-476-4103 • Simi Valley, CA: 800-423-0150 • Fax: 864-834-3518 • www.tsbrass.com

ITEM NO.	SALES NO.	DESCRIPTION
1	B-0199-08-N05	0.5 GPM VR Spray Device, 13/16-27 Male
2	012394-25NS	Quarter-Turn Cerama Cartridge w/ Check Valve, RTC
3	001193-19NS	Red Button Index, Press-in
4	018506-19NS	Blue Button Index, Press-in
5	VRS-2	VR Wrist Action Handle Screw (2) w/ Spanner Bit
6	001638-45NS	Lever Handle (New Style)
7	012395-25NS	Quarter-Turn Cerama Cartridge w/ Check Valve, LTC
8	001000-45	Rosette Washer
9	002954-45	Shank Lock Nut
10	000958-20	Coupling Nut
11	015425-45	Vandal Resistant Key



014075-45
Vandal Resistant
#10 Spanner Bit

Product Specifications:

4" Centerset Deck Mount Faucet, Quarter-Turn Cerama Cartridges w/ Check Valves, Lever Handles w/ VR Screws, 0.5 GPM VR Non-Aerated Spray Device & 1/2" NPSM Male Inlets w/ Coupling Nuts

Product Compliance:

ASME A112.18.1 / CSA B125.1
NSF 61 - Section 9
NSF 372 (Low Lead Content)
ANSI A117.1 (ADA)