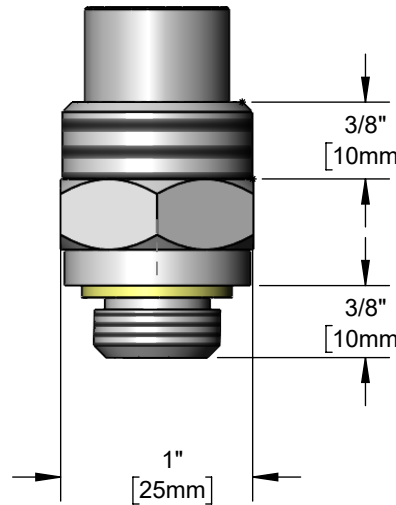
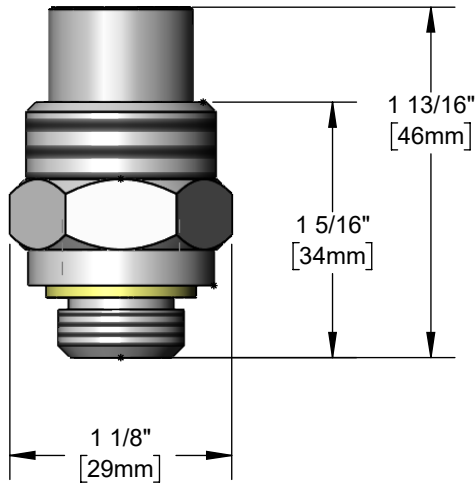
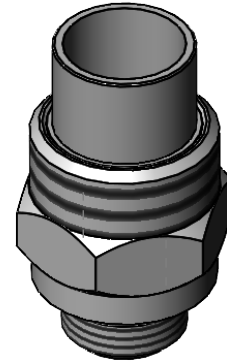




**Architect/Engineering Specifications:**

Chrome plated brass rigid to restricted swivel adapter w/1-20 UN male thread x 3/8-18 NPT male thread and bonnet washer.  
Certified to NSF 61-Section 9 and NSF 372

Job Name _____	
Model Specified _____	Quantity _____
Variations Specified _____	
Date _____	



**Features & Benefits:**

- Chrome plated brass rigid to restricted swivel adapter
- 1-20 UN male thread x 3/8" NPT male thread
- Accepts T&S goosenecks and swing nozzles
- Use for field conversion where a faucet with 3/8" NPT outlet is installed and a swivel gooseneck or nozzle is required
- Restricted swivel to 100 degrees
- Material: Chrome plated brass

**Product Compliance:**

- NSF 61 - Section 9
- NSF 372 (Low Lead Content)

**Warranty:** One Year (Limited)

**Performance Data:**

- N/A

