



Portable Handwashing Stations

TPS1015-B0205V5

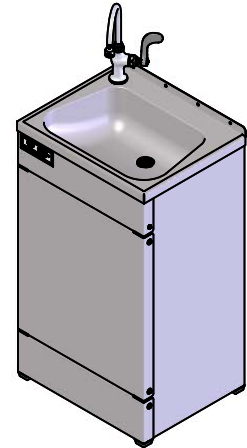
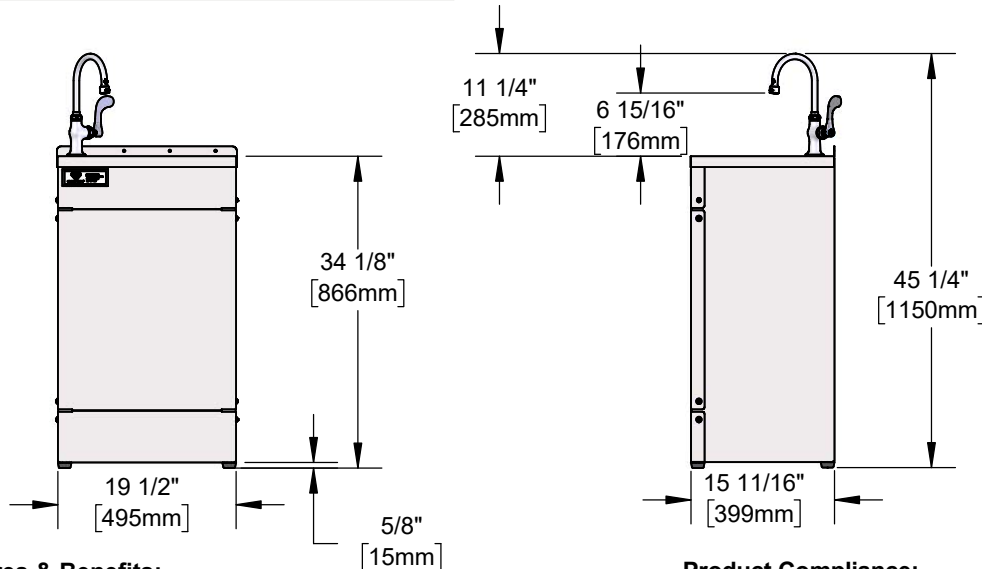
TAG:

Portable Handwashing Station

Architect/Engineering Specifications:

Portable stainless steel handwashing station with deck mount faucet with polished chrome plated brass body, 5 7/16" swivel/rigid gooseneck with 0.5 GPM vandal resistant non-aerated spray device, compression cartridge with spring check, 4" wrist action handle and 1/2" NPSM male inlet. Certified to ASME A112.18.1/CSA B125.1 and NSF 372.

Job Name _____
 Model Specified _____ Quantity _____
 Variations Specified _____
 Date _____



Features & Benefits:

- Portable handwashing station
- Single hole single temperature deck mount faucet w/ polished chrome plated brass body
- 5 7/16" rigid/swivel gooseneck
- Lock washer provided for rigid application
- 0.5 GPM VR non-aerated spray device, Series 6 (B-0199-06-N05)
- 4" wrist action handle w/ blue color coded index
- 1/2" NPSM male inlet w/ ϕ 2" flange
- 3/4" hose connections for fresh water & waste
- Material: 22-gauge stainless steel handwashing station, polished chrome plated brass flange & tubular spout

Product Compliance:

- ASME A112.18.1 / CSA B125.1
- NSF 372 (Low Lead Content)
- NSF 61 Exempt (Non-Potable)



Warranty: One Year (Limited)



Performance Data:

- Flow Rate: 0.5 GPM [1.89 l/min] @ 60 psi [4.14 bar]

Optional Accessories

- Swivel Casters
- Backsplash w/ Soap and Paper Towel Holder
- 5 Gallon Waste Tank



T&S BRASS AND BRONZE WORKS, INC.



• 2 Saddleback Cove • Travelers Rest, SC 29690
 Ph 800-476-4103 • Fax 864-834-3518
 • Simi Valley, CA • Ph 800-423-0150 • www.tsbrass.com

Date: 08/25/21