



Remote Control Straight Valve

Architect/Engineering Specifications:

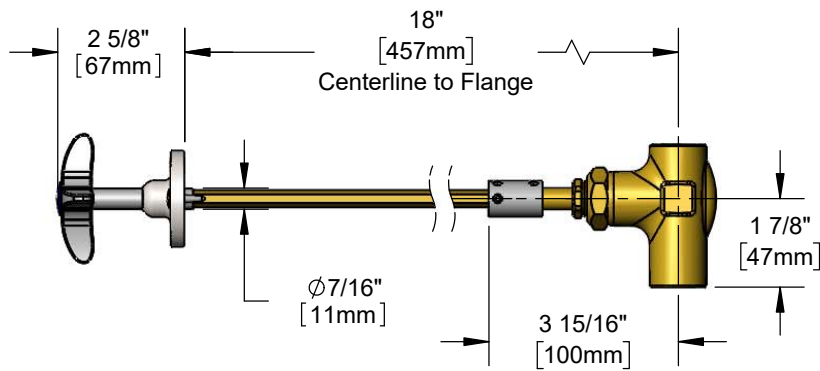
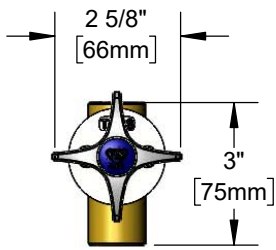
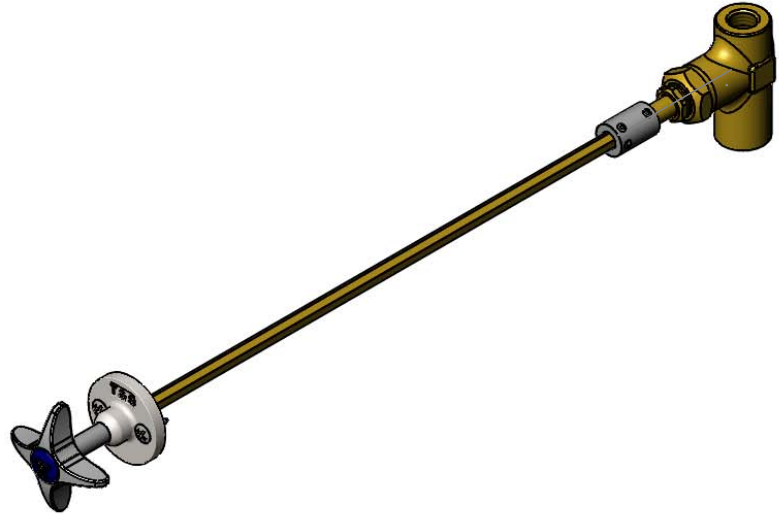
Remote control straight valve with brass body, removable seat, 18" centerline to flange, 4-arm handle, press-in color coded indexes and 3/8" NPT female inlet and outlet. Certified to ANSI Z21.15a / CSA 9.1a.

Job Name _____

Model Specified _____ Quantity _____

Variations Specified _____

Date _____



Features & Benefits:

- Remote control straight valve with brass body
- 18" centerline to flange
- Stainless steel floating cone and removable seat
- 4-arm handle
- Press-in color coded indexes (gas, vacuum & air included)
- ϕ 2" panel flange with mounting screws
- 3/8" NPT female inlet and outlet
- Material: Brass body and polished chrome plated metal handle

Product Compliance:

- ANSI Z21.15a / CSA 9.1a (Gas Valves)

Warranty: One Year (Limited)

Performance Data:

- Pressure:
 - Gas - 0.5 psi [0.03 bar] max
 - Air - 125 psi [8.62 bar] max
 - Vacuum - 30 inches of Mercury [760 Torr] max
- Temperature: 32°F - 125°F [0°C - 52°C]

