



T&S BRASS AND BRONZE WORKS, INC.
 2 Saddleback Cove / P.O. Box 1088
 Travelers Rest, SC 29690

Model No.
S-1110-LN

Item No.

Travelers Rest, SC: 800-476-4103 • Simi Valley, CA: 800-423-0150 • Fax: 864-834-3518 • www.tsbrass.com

EVERSTEEL



ADA Compliant

This Space for Architect/Engineer Approval

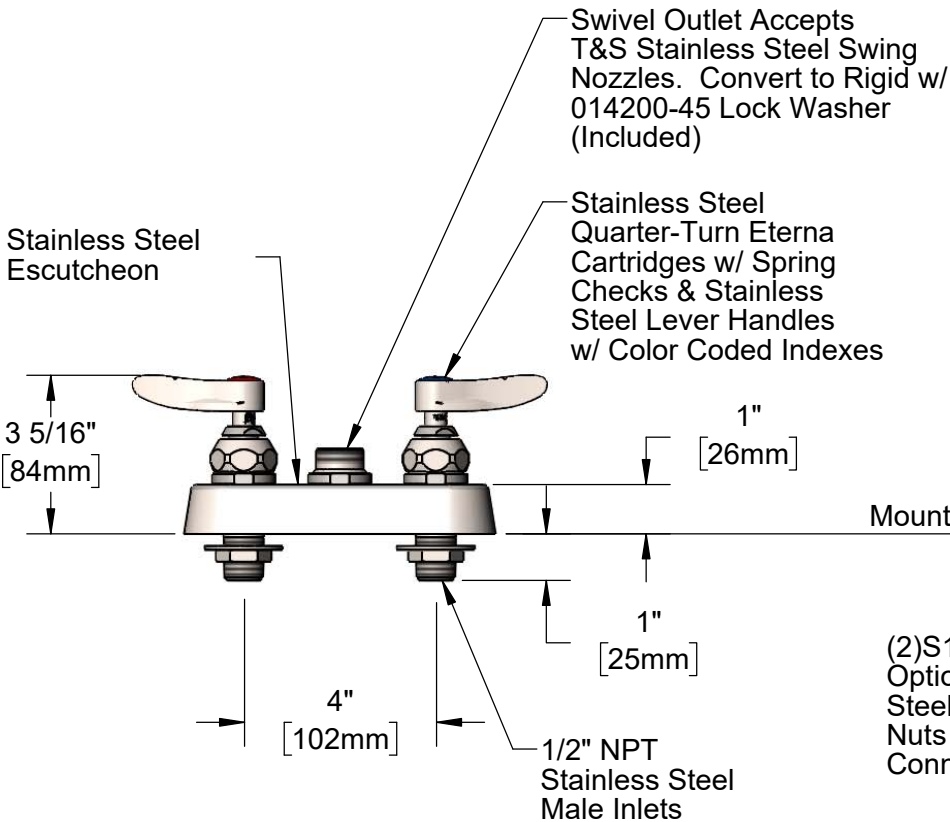
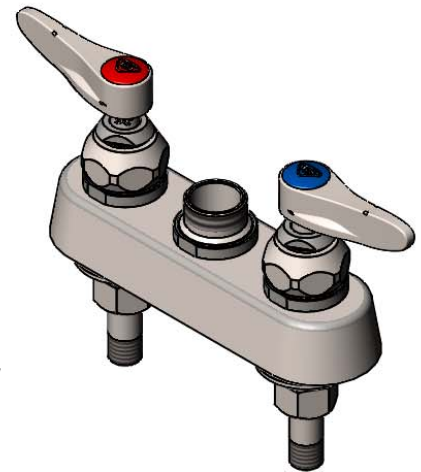
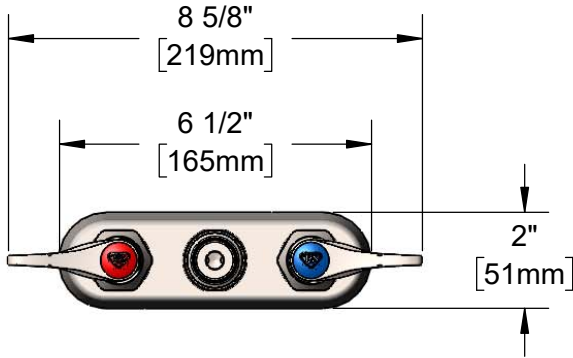
Job Name _____ Date _____

Model Specified _____ Quantity _____

Customer/Wholesaler _____

Contractor _____

Architect/Engineer _____



Rough-In Requirement:
 (2) \varnothing 1" [25mm] Mounting Holes

Product Specifications:

4" Deck Mount Stainless Steel Workboard Faucet, Less Nozzle, Stainless Steel Quarter-Turn Eterna Cartridges w/ Spring Checks, Stainless Steel Lever Handles & 1/2" NPT Stainless Steel Male Inlets

Product Compliance:

ASME A112.18.1 / CSA B125.1
 NSF 61 - Section 9
 NSF 372 (Low Lead Content)
 ANSI A117.1 (ADA)



T&S BRASS AND BRONZE WORKS, INC.

2 Saddleback Cove / P.O. Box 1088
Travelers Rest, SC 29690

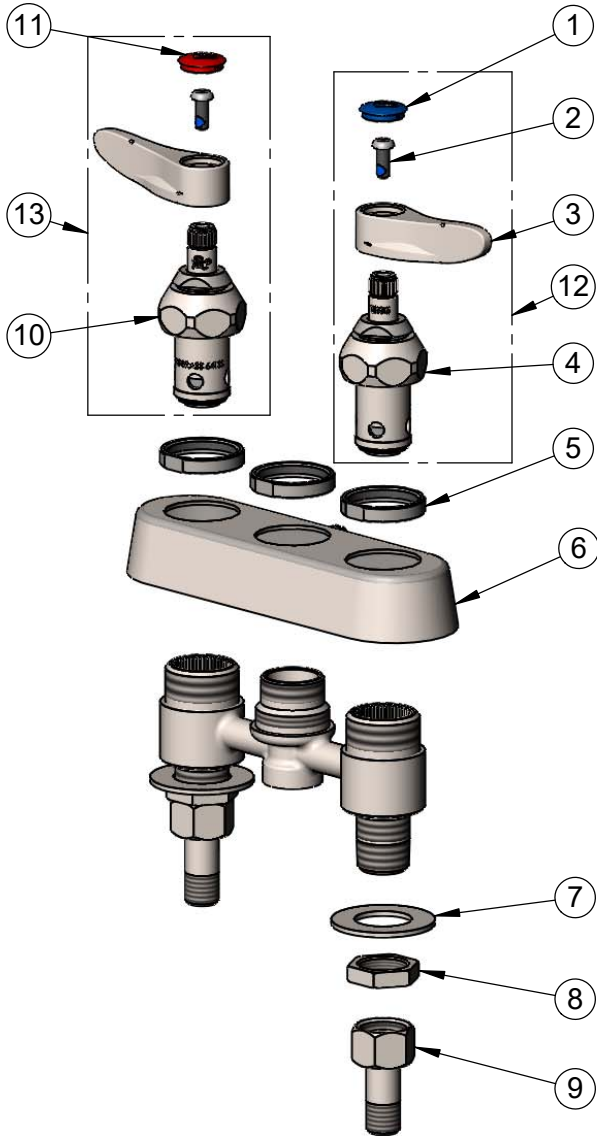
Model No.

S-1110-LN

Item No.

Travelers Rest, SC: 800-476-4103 • Simi Valley, CA: 800-423-0150 • Fax: 864-834-3518 • www.tsbrass.com

ITEM NO.	SALES NO.	DESCRIPTION
1	018506-19NS	Blue Button Index, Press-in
2	000925-45	Lab Handle Screw
3	S001638-30NS	Stainless Steel Lever Handle (New Style)
4	S012442-30NS	SS Quarter-Turn Eterna Cartridge w/ Spring Check, LTC
5	S019376-30	Stainless Steel Escutcheon Lock Nut
6	S019374-30	S-1110 Stainless Steel Workboard Escutcheon
7	S000999-20	Stainless Steel Lock Washer
8	S002954-20	Stainless Steel Shank Lock Nut
9	S150A	1/4" NPT Stainless Steel Tailpiece & Nut
10	S012443-30NS	SS Quarter-Turn Eterna Cartridge w/ Spring Check, RTC
11	001193-19NS	Red Button Index, Press-in
12	S002711-30NS	SS Quarter-Turn Eterna Cartridge w/ Spring Check, Handle, Blue Index & Screw, LTC
13	S002712-30NS	SS Quarter-Turn Eterna Cartridge w/ Spring Check, Handle, Red Index & Screw, RTC



014200-45
Lock Washer
Converts Swivel to Rigid

Product Specifications:

4" Deck Mount Stainless Steel Workboard Faucet, Less Nozzle, Stainless Steel Quarter-Turn Eterna Cartridges w/ Spring Checks, Stainless Steel Lever Handles & 1/2" NPT Stainless Steel Male Inlets

Product Compliance:

ASME A112.18.1 / CSA B125.1
NSF 61 - Section 9
NSF 372 (Low Lead Content)
ANSI A117.1 (ADA)