



Architect/Engineering Specifications:

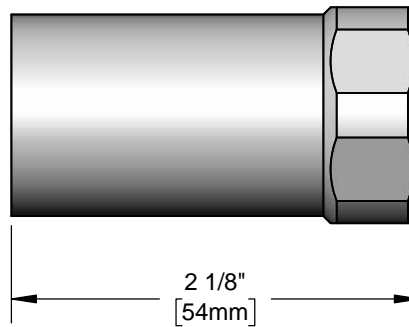
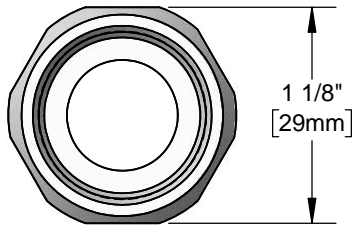
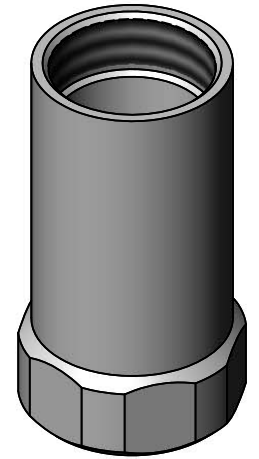
Rough chrome plated pre-rinse swivel body with 15/16-18 and 3/8" NPT female thread. Certified to NSF 61 - Section 9 and NSF 372.

Job Name _____

Model Specified _____ Quantity _____

Variations Specified _____

Date _____



Features & Benefits:

- Pre-rinse swivel body
- 15/16-18 female thread
- 3/8" NPT female thread
- Material: Rough chrome plated brass

Product Compliance:

- NSF 61 - Section 9
- NSF 372 (Low Lead Content)



Warranty: One Year (Limited)



Performance Data:

- N/A

