



T&S BRASS AND BRONZE WORKS, INC.
 2 Saddleback Cove / P.O. Box 1088
 Travelers Rest, SC 29690

Model No.
PG-8WSAN-08

Item No.

Travelers Rest, SC: 800-476-4103 • Simi Valley, CA: 800-423-0150 • Fax: 864-834-3518 • www.tsbrass.com

This Space for Architect/Engineer Approval

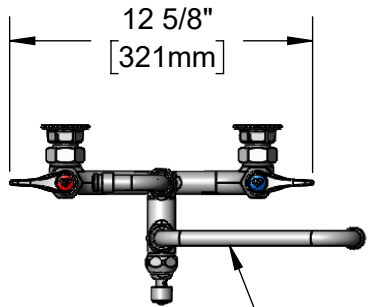
Job Name _____ Date _____

Model Specified _____ Quantity _____

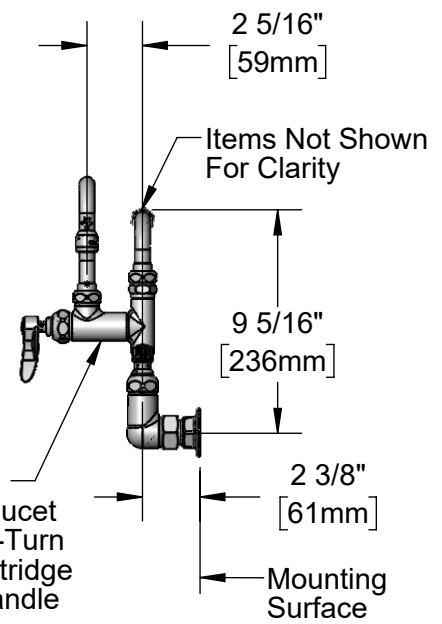
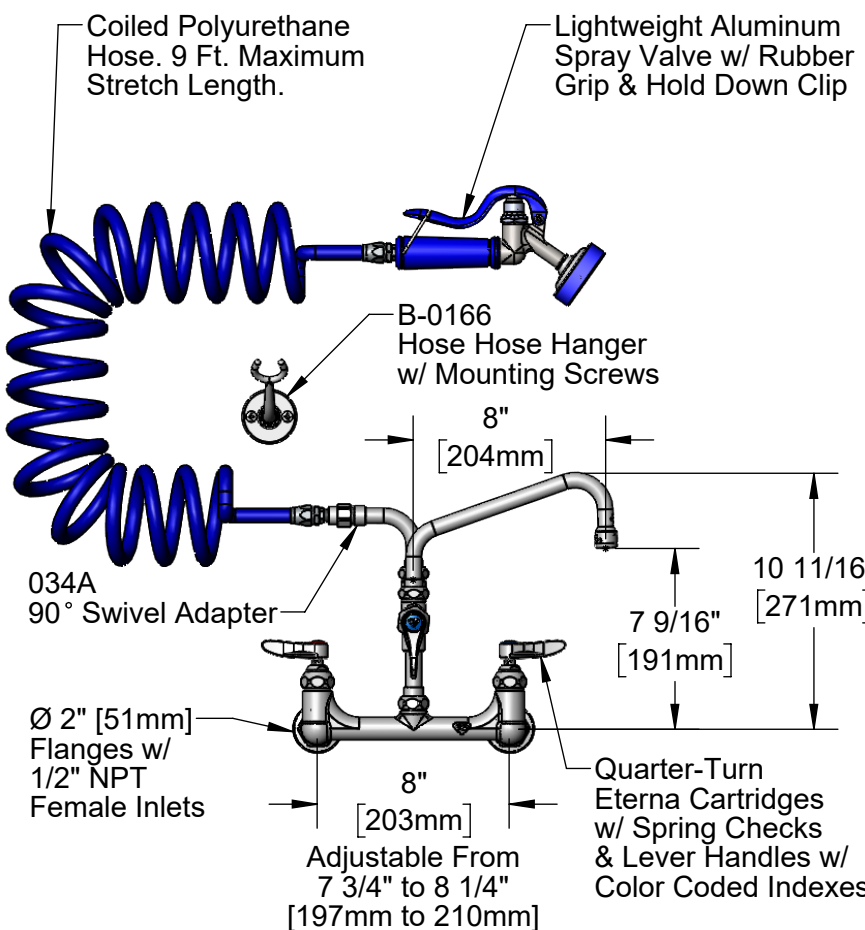
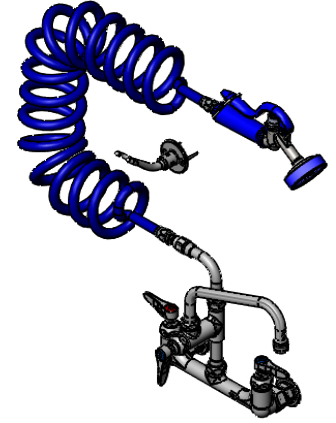
Customer/Wholesaler _____

Contractor _____

Architect/Engineer _____



060X
 8" Swing Nozzle w/
 Stream Regulator Outlet



Product Specifications:
 Pet Grooming Station: 8" Wall Mount Mixing Faucet, Quarter-Turn Eterna Cartridges w/ Spring Checks, Lever Handles, Add-On Faucet, 8" Swing Nozzle w/ Stream Regulator Outlet, 90° Swivel Arm, 9' Coiled Hose w/ Angled Aluminum Spray Valve, Hanger Hook & 1/2" NPT Female Inlets

Product Compliance:
 ASME A112.18.1 / CSA B125.1
 NSF 61 Exempt (Non-Potable)



T&S BRASS AND BRONZE WORKS, INC.

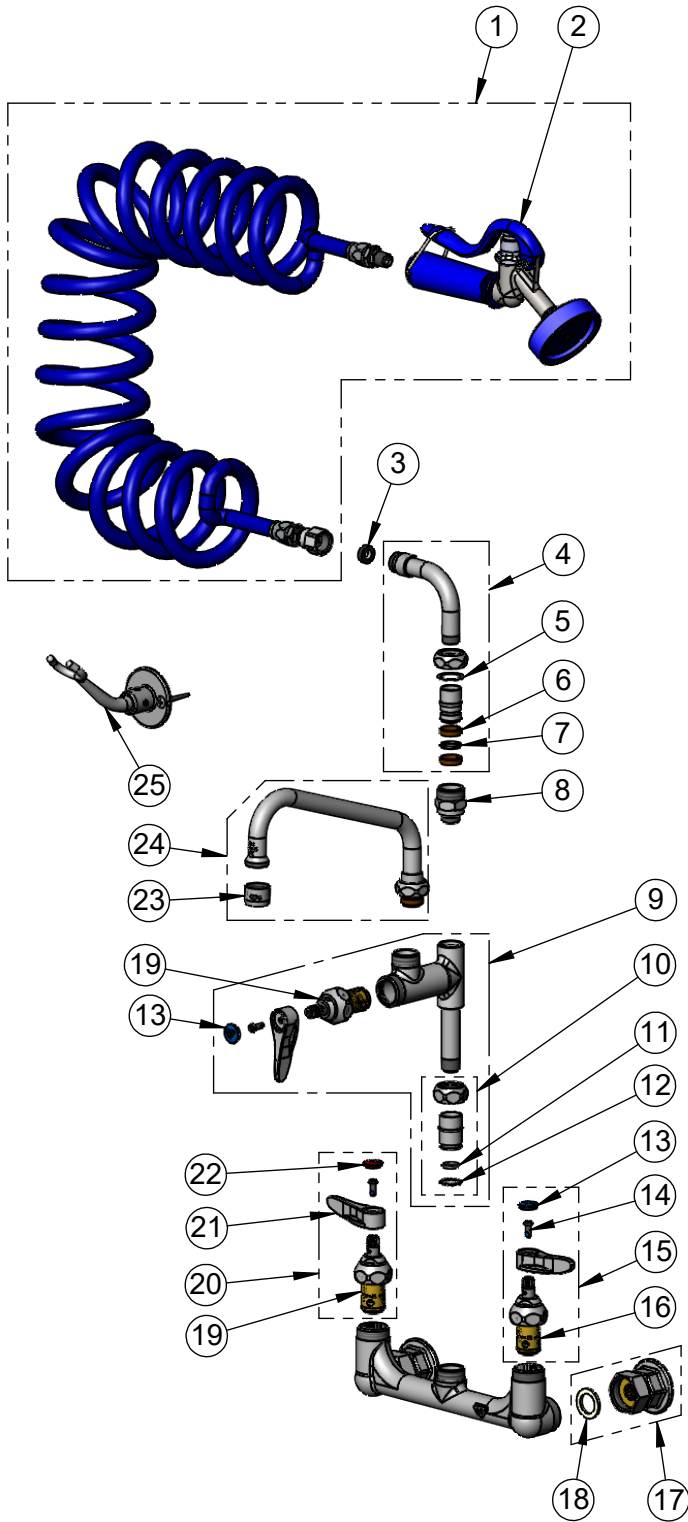
2 Saddleback Cove / P.O. Box 1088
Travelers Rest, SC 29690

Model No.

PG-8WSAN-08

Item No.

Travelers Rest, SC: 800-476-4103 • Simi Valley, CA: 800-423-0150 • Fax: 864-834-3518 • www.tsbrass.com



| ITEM NO. | SALES NO. | DESCRIPTION |
|----------|--------------|--|
| 1 | PG-35AV-CH05 | Lightweight Aluminum Angled Spray Valve w/ Coiled Polyurethane Hose |
| 2 | PG-35AV | Lightweight Aluminum Angled Spray Valve |
| 3 | 010476-45 | #27 Washer |
| 4 | 034A | 90° Swivel Adapter |
| 5 | 009538-45 | Swivel Washer |
| 6 | 011429-45 | Swivel Sleeves (2) |
| 7 | 001074-45 | O-Ring |
| 8 | B-0412 | Rigid to Swivel Adapter |
| 9 | B-0155-LNEZ | EasyInstall Add-On Faucet |
| 10 | EZ-K | EasyInstall Kit |
| 11 | 001065-45 | O-Ring |
| 12 | 014200-45 | Star Washer, Anti-Rotation |
| 13 | 018506-19NS | Blue Button Index, Press-in |
| 14 | 000925-45 | Lab Handle Screw |
| 15 | 002711-40NS | Quarter-Turn Eterna Cartridge w/ Spring Check, Handle, Blue Index & Screw, LTC |
| 16 | 012442-40NS | Quarter-Turn Eterna Cartridge w/ Spring Check, LTC |
| 17 | 00AA | 1/2" NPT Female Eccentric Flange |
| 18 | 001019-45 | Coupling Nut Washer |
| 19 | 012443-40NS | Quarter-Turn Eterna Cartridge w/ Spring Check, RTC |
| 20 | 002712-40NS | Quarter-Turn Eterna Cartridge w/ Spring Check, Handle, Red Index & Screw, RTC |
| 21 | 001638-45NS | Lever Handle (New Style) |
| 22 | 001193-19NS | Red Button Index, Press-in |
| 23 | B-PT | Full Flow Stream Regulator, 55/64-27 |
| 24 | 060X | Swing Nozzle w/ Stream Regulator Outlet |
| 25 | B-0166 | Wall Hook |

Product Specifications:

Pet Grooming Station: 8" Wall Mount Mixing Faucet, Quarter-Turn Eterna Cartridges w/ Spring Checks, Lever Handles, Add-On Faucet, 8" Swing Nozzle w/ Stream Regulator Outlet, 90° Swivel Arm, 9' Coiled Hose w/ Angled Aluminum Spray Valve, Hanger Hook & 1/2" NPT Female Inlets

Product Compliance:

ASME A112.18.1 / CSA B125.1
NSF 61 Exempt (Non-Potable)