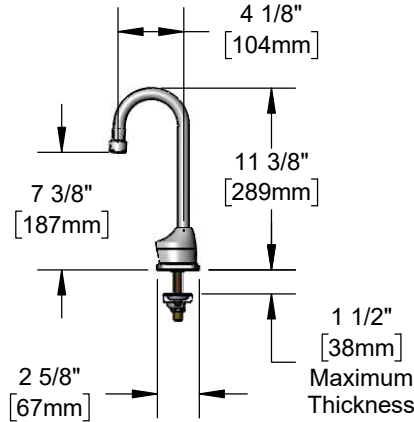
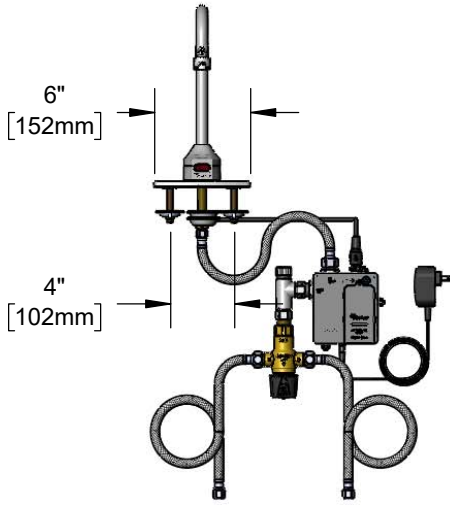




Architect/Engineering Specifications:

Single hole deck mount electronic sensor faucet with polished chrome plated brass body and 4 1/8" rigid gooseneck, 0.5 GPM vandal resistant non-aerated spray device, AC/DC control module with internal flow control setting switches, thermostatic temperature mixing valve with check valves, 18" flexible stainless steel supply hoses with 3/8" compression connections, and 4" c/c deck plate. Certified to ASME A112.18.1/CSA B125.1, NSF 61-Section 9, NSF 372, UL 1951 and ASSE 1070. Meets ADA ANSI/ICC A117.1 requirements.

Job Name _____
Model Specified _____ Quantity _____
Variations Specified _____
Date _____



Features & Benefits:

- Single hole deck mount w/ polished chrome plated brass body
• 4 1/8" rigid gooseneck
• 0.5 GPM vandal resistant non-aerated spray device, Series 6 (B-0199-06-N05)
• 4" c/c deck plate w/ gasket and mounting hardware
• Water resistant control module w/ internal flow control switches for adjusting auto time out & shut off delay settings
• Optional auto flush feature flows water for 30 seconds after every 12 inactive hours
• Optional metering mode
• Plug in AC transformer or (4) AA batteries (DC) power options
• Thermostatic temperature mixing valve w/ check valves
• 18" flexible stainless steel supply hoses w/ 3/8" compression connections
• Low battery LED indicator light
• Material: Polished chrome plated brass body, deck plate & gooseneck

Product Compliance:

- ASME A112.18.1 / CSA B125.1
• NSF 61 - Section 9
• NSF 372 (Low Lead Content)
• ANSI A117.1 (ADA)
• UL 1951
• ASSE 1070 (TMV)

Warranty: Three Year (Limited)

Performance Data:

- Pressure: 20 - 125 psi [1.38 - 8.62 bar]
• Temperature: 40°F - 140°F [4.44°C - 60°C]
• Flow Rate: 0.5 GPM [1.89 L/min] @ 60 psi [4.14 bar]
• Water Consumption: @10 sec = .08 gal [.32 L]
@15 sec = .13 gal [.47 L]



ADA Compliant



Optional Outlets (Series 1 / VR Series 6)

Table with columns: GPM, Aerated, Non-Aerated (Laminar), VR Aerated, VR Non-Aerated (VR Laminar), and Optional Deck Plates. It lists various outlet options and deck plate sizes for different flow rates.

