



# T&S BRASS AND BRONZE WORKS, INC.

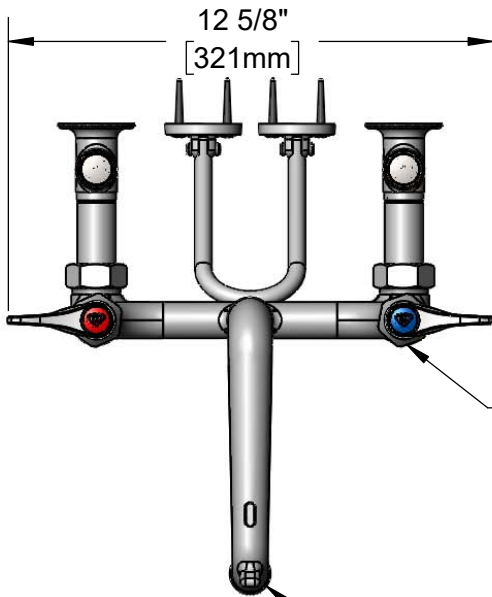
2 Saddleback Cove / P.O. Box 1088  
Travelers Rest, SC 29690

Model No.

**B-0651-POL**

Item No.

Travelers Rest, SC: 800-476-4103 • Simi Valley, CA: 800-423-0150 • Fax: 864-834-3518 • www.tsbrass.com



**ADA Compliant**

This Space for Architect/Engineer Approval

Job Name \_\_\_\_\_ Date \_\_\_\_\_

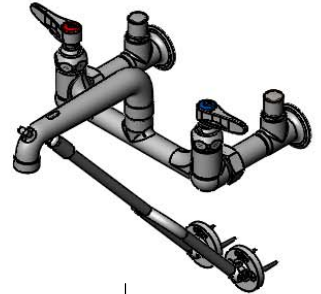
Model Specified \_\_\_\_\_ Quantity \_\_\_\_\_

Customer/Wholesaler \_\_\_\_\_

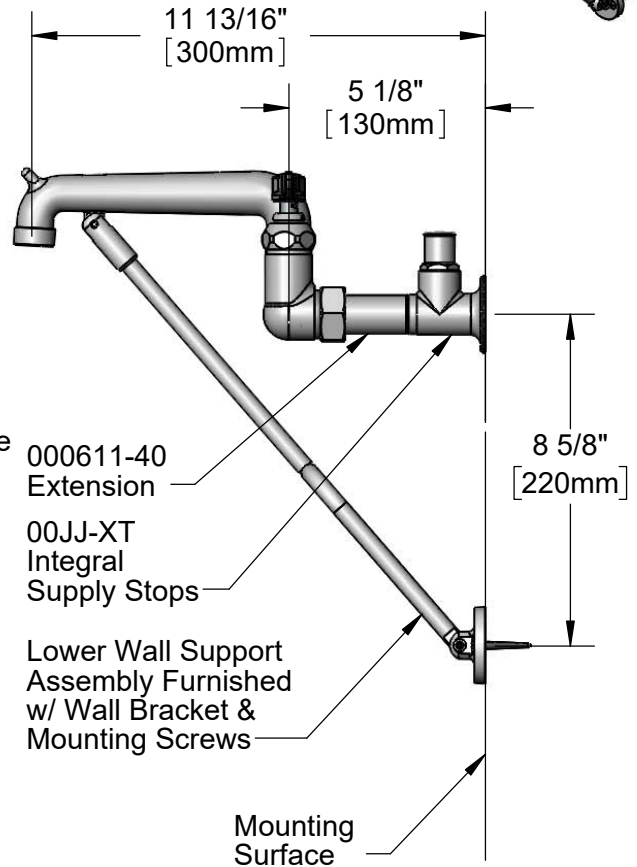
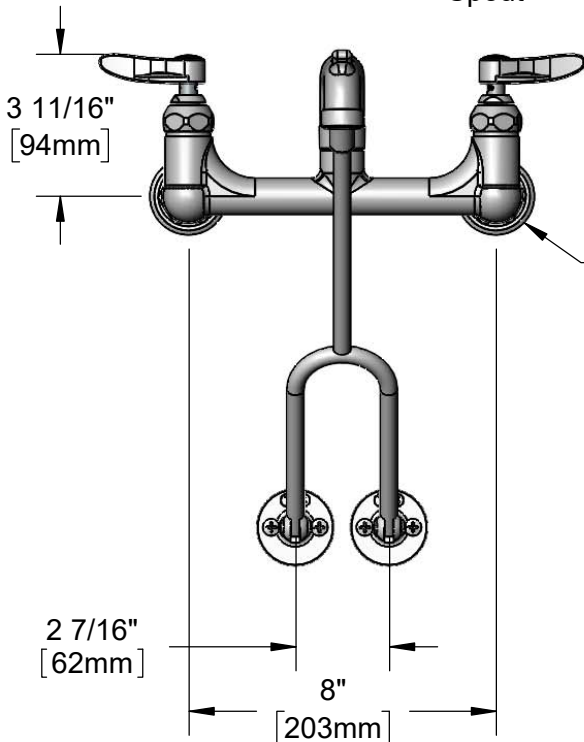
Contractor \_\_\_\_\_

Architect/Engineer \_\_\_\_\_

Quarter-Turn  
Eterna Cartridges w/  
Spring Checks &  
Lever Handles w/  
Color Coded Indexes



Plain End  
Spout



Ø2" [51mm]  
Flange w/  
1/2" NPT Female  
Thread Inlets

000611-40  
Extension

00JJ-XT  
Integral  
Supply Stops

Lower Wall Support  
Assembly Furnished  
w/ Wall Bracket &  
Mounting Screws

Mounting  
Surface

Adjustable From  
7 3/4" to 8 1/4"  
[197mm to 210mm]

**Product Specifications:**

8" Wall Support Service Sink, Quarter-Turn Eterna Cartridge w/ Spring Checks, Polish Chrome Finish, Lever Handles, Lower Support Rod, 1/2" NPT Extended Inlets w/ Integral Stops & Plain End Outlet

**Product Compliance:**

ASME A112.18.1 / CSA B125.1  
NSF 61 - Section 9  
NSF 372 (Low Lead Content)  
ANSI A117.1 (ADA)



# T&S BRASS AND BRONZE WORKS, INC.

2 Saddleback Cove / P.O. Box 1088  
Travelers Rest, SC 29690

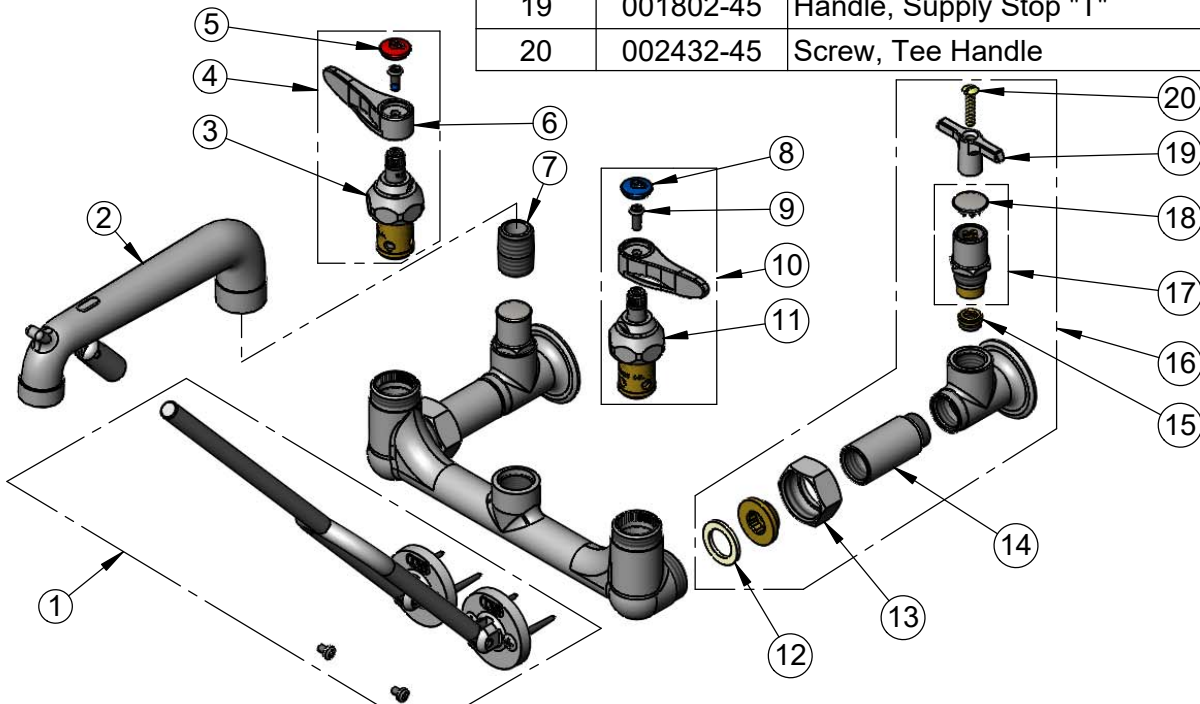
Model No.

**B-0651-POL**

Item No.

Travelers Rest, SC: 800-476-4103 • Simi Valley, CA: 800-423-0150 • Fax: 864-834-3518 • www.tsbrass.com

ITEM NO.	SALES NO.	DESCRIPTION
1	009616-40	Lower Support Rod Assembly w/ Mounting Screws
2	016844-40	Spout, B-0650 Chrome Polished
3	012443-40NS	Quarter-Turn Eterna Cartridge w/ Spring Check, RTC
4	002712-40NS	Quarter-Turn Eterna Cartridge w/ Spring Check, Handle, Red Index & Screw, RTC
5	001193-19NS	Red Button Index, Press-in
6	001638-45NS	Lever Handle (New Style)
7	002534-25	Close Nipple, 1/2" NPT
8	018506-19NS	Blue Button Index, Press-in
9	000925-45	Lab Handle Screw
10	002711-40NS	Quarter-Turn Eterna Cartridge w/ Spring Check, Handle, Blue Index & Screw, LTC
11	012442-40NS	Quarter-Turn Eterna Cartridge w/ Spring Check, LTC
12	001019-45	Coupling Nut Washer
13	000721-25	Flange Coupling Nut
14	000611-25	Extension, 1 3/4" Long
15	000763-20	Seat
16	00JJ-XT	1/2" NPT Female Thread Inlet Assembly w/ Integral Stop & Extension
17	002892-45	Service Stop Spindle Assembly w/ Cap
18	001605-45	Cap
19	001802-45	Handle, Supply Stop "T"
20	002432-45	Screw, Tee Handle



**Product Specifications:**

8" Wall Support Service Sink, Quarter-Turn Eterna Cartridge w/ Spring Checks, Polish Chrome Finish, Lever Handles, Lower Support Rod, 1/2" NPT Extended Inlets w/ Integral Stops & Plain End Outlet

**Product Compliance:**

ASME A112.18.1 / CSA B125.1  
NSF 61 - Section 9  
NSF 372 (Low Lead Content)  
ANSI A117.1 (ADA)