



Washdown Stations
MV-1907-12C

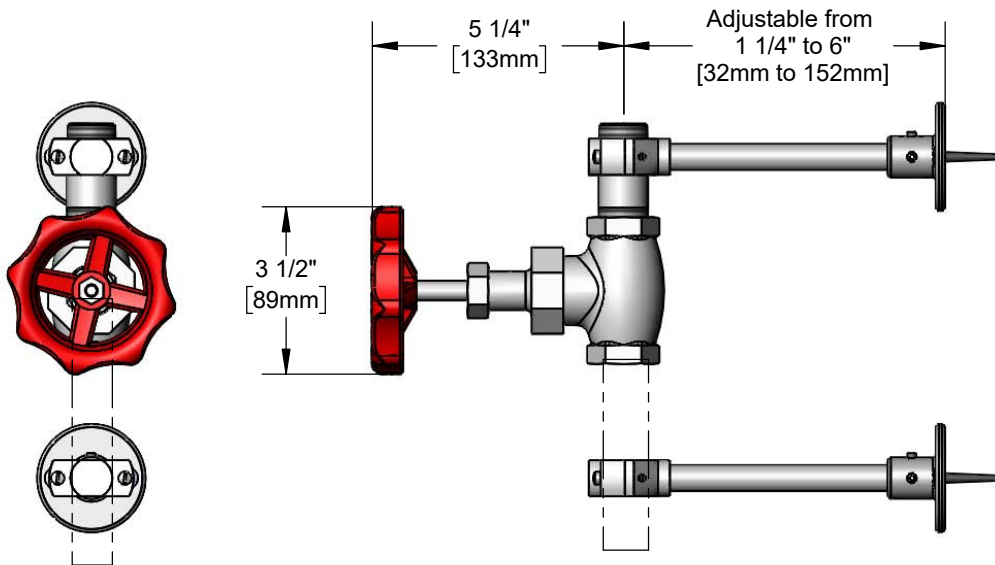
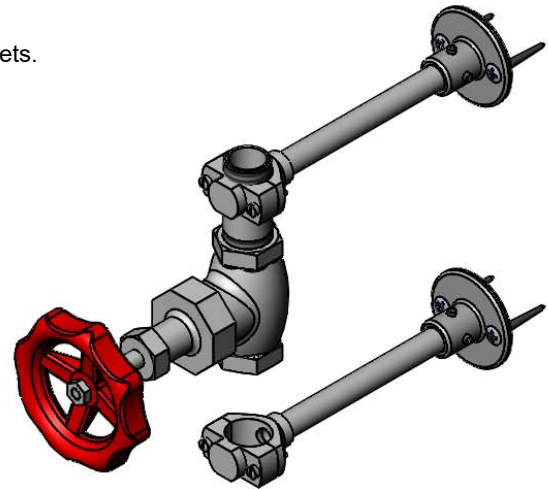
TAG:

Single Temperature Valve

Architect/Engineering Specifications:

Chrome plated 3/4" globe valve with 2 1/2" x 3/4" NPT nipple and (2) 6" wall brackets.

Job Name _____
 Model Specified _____ Quantity _____
 Variations Specified _____
 Date _____



Features & Benefits:

- Chrome plated 3/4" globe valve w/ color coded handle
- 2 1/2" x 3/4" NPT nipple
- (2) 6" adjustable wall brackets
- Material: Chrome plated brass

Product Compliance:

- NSF 61 Exempt (Non-Potable)

Warranty: One Year (Limited)

Performance Data:

- Pressure: 20 - 125 psi
- Temperature: 40 °F - 200 °F
- Flow Rate: TBD GPM @ 60 psi



T&S BRASS AND BRONZE WORKS, INC.



• 2 Saddleback Cove • Travelers Rest, SC 29690
 Ph 800-476-4103 • Fax 864-834-3518
 • Simi Valley, CA • Ph 800-423-0150 • www.tsbrass.com

Date: 07/19/19