



Eyewash Stations

EW-7610

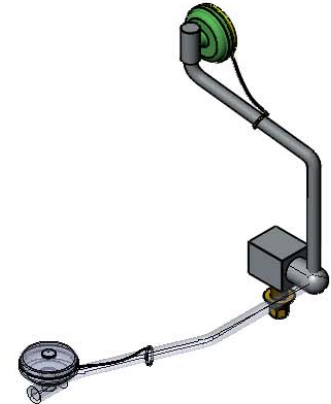
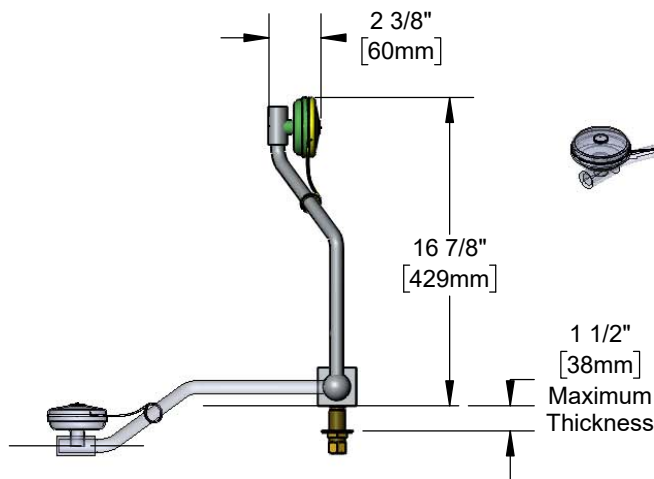
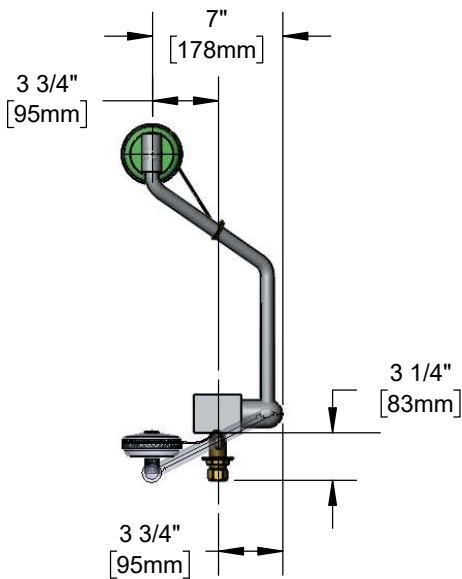
TAG:

Deck or Wall Mount Eye Wash

Architect/Engineering Specifications:

Deck or wall mount eye/face wash with polished chrome plated brass eye/face wash, plastic eye wash head with laminar flow device, integral flip top dust cover and 1/2" O.D. slip joint. Certified to ANSI Z358.1.

Job Name _____
 Model Specified _____ Quantity _____
 Variations Specified _____
 Date _____



Features & Benefits:

- Polished chrome plated brass eye/face wash
- Deck or wall mount eye/face wash
- Plastic eye wash head with laminar flow device
- Integral flip top dust cover
- 1/2" O.D. slip joint
- Material: Chrome plated brass eye/face wash and ABS plastic eyewash head

Product Compliance:

- ANSI Z358.1 (Latest Revision)
- NSF 61 Exempt (Non-Potable)

Warranty: One Year (Limited)

Performance Data:

- Pressure: 30 - 90 psi [2.07 - 6.21 bar]
- Temperature: 60 °F - 100 °F [15.6 °C - 37.8 °C]
- Flow Rate: 3.7 GPM [14.01 L/min] @ 60 psi [4.14 bar]



T&S BRASS AND BRONZE WORKS, INC.



• 2 Saddleback Cove • Travelers Rest, SC 29690
 Ph 800-476-4103 • Fax 864-834-3518
 • Simi Valley, CA • Ph 800-423-0150 • www.tsbrass.com

Date: 06/21/21