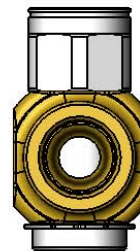
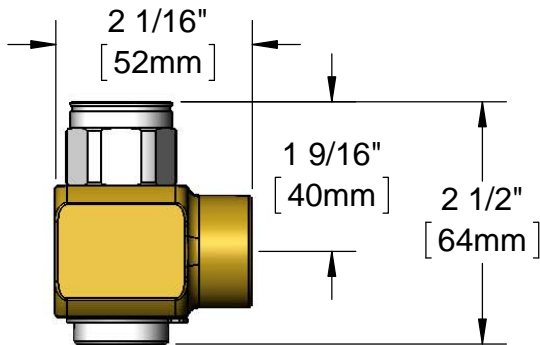
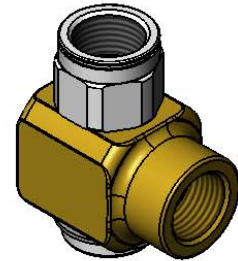




Architect/Engineering Specifications:

1/2" NPT hose reel swivel kit.

Job Name _____
 Model Specified _____ Quantity _____
 Variations Specified _____
 Date _____



Features & Benefits:

- 1/2" NPT hose reel swivel kit
- Material: Brass & stainless steel

Product Compliance:

- N/A

Warranty: One Year (Limited)

Performance Data:

- Pressure: 20 - 125 psi
- Temperature: 40 °F - 200 °F

